

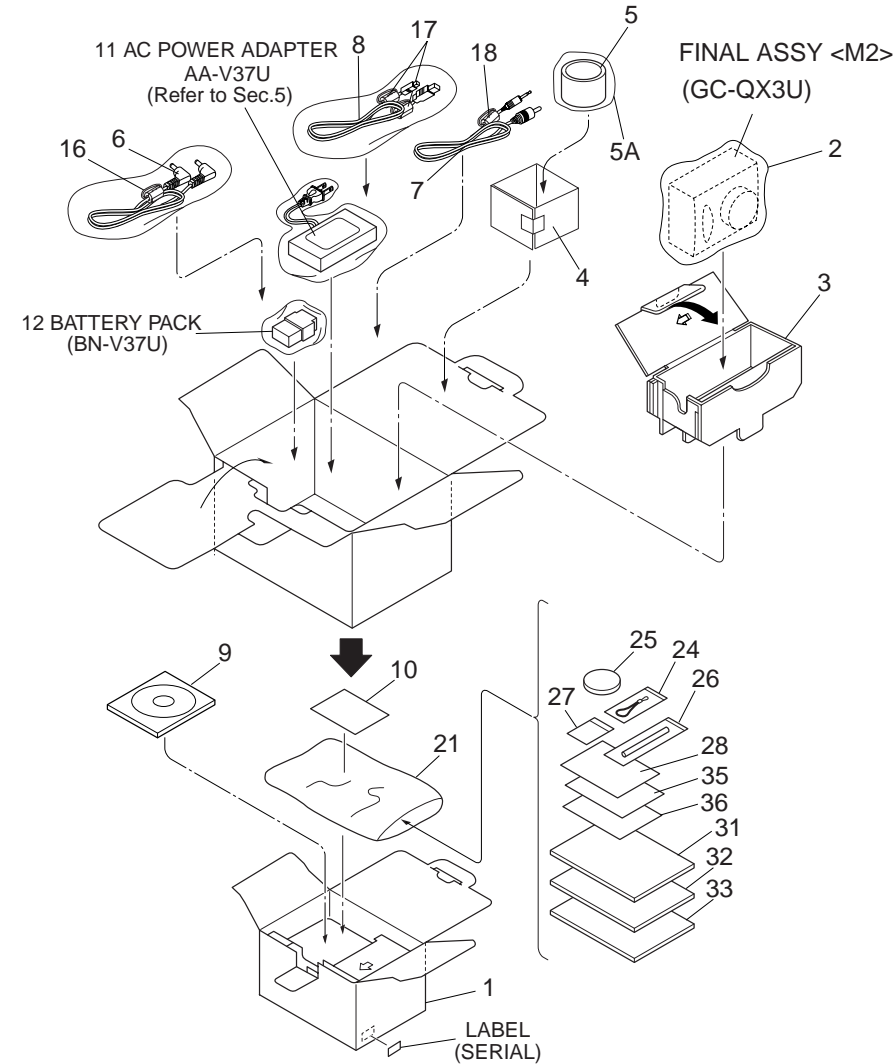
## SECTION 4 PARTS LIST

### SAFETY PRECAUTION

Parts identified by the  $\triangle$  symbol are critical for safety. Replace only with specified part numbers.

#### 4.1 PACKING AND ACCESSORY ASSEMBLY <M1>

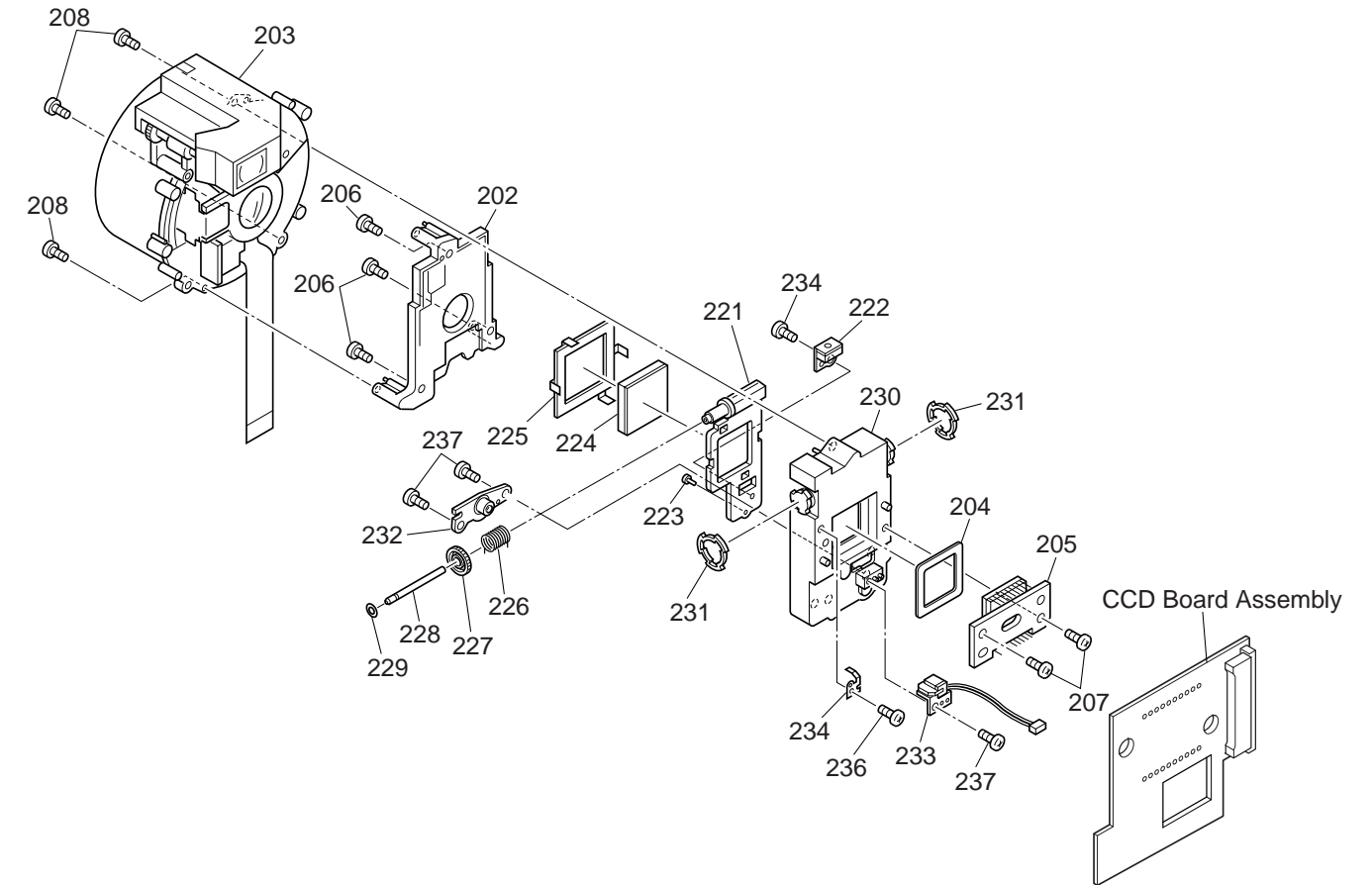
The instruction manual to be provided with this product will differ according to the destination.



#### 4.2 OP BLOCK ASSEMBLY <M3>

### BEWARE OF BOGUS PARTS

Parts that do not meet specifications may cause trouble in regard to safety and performance. We recommend that genuine JVC parts be used.



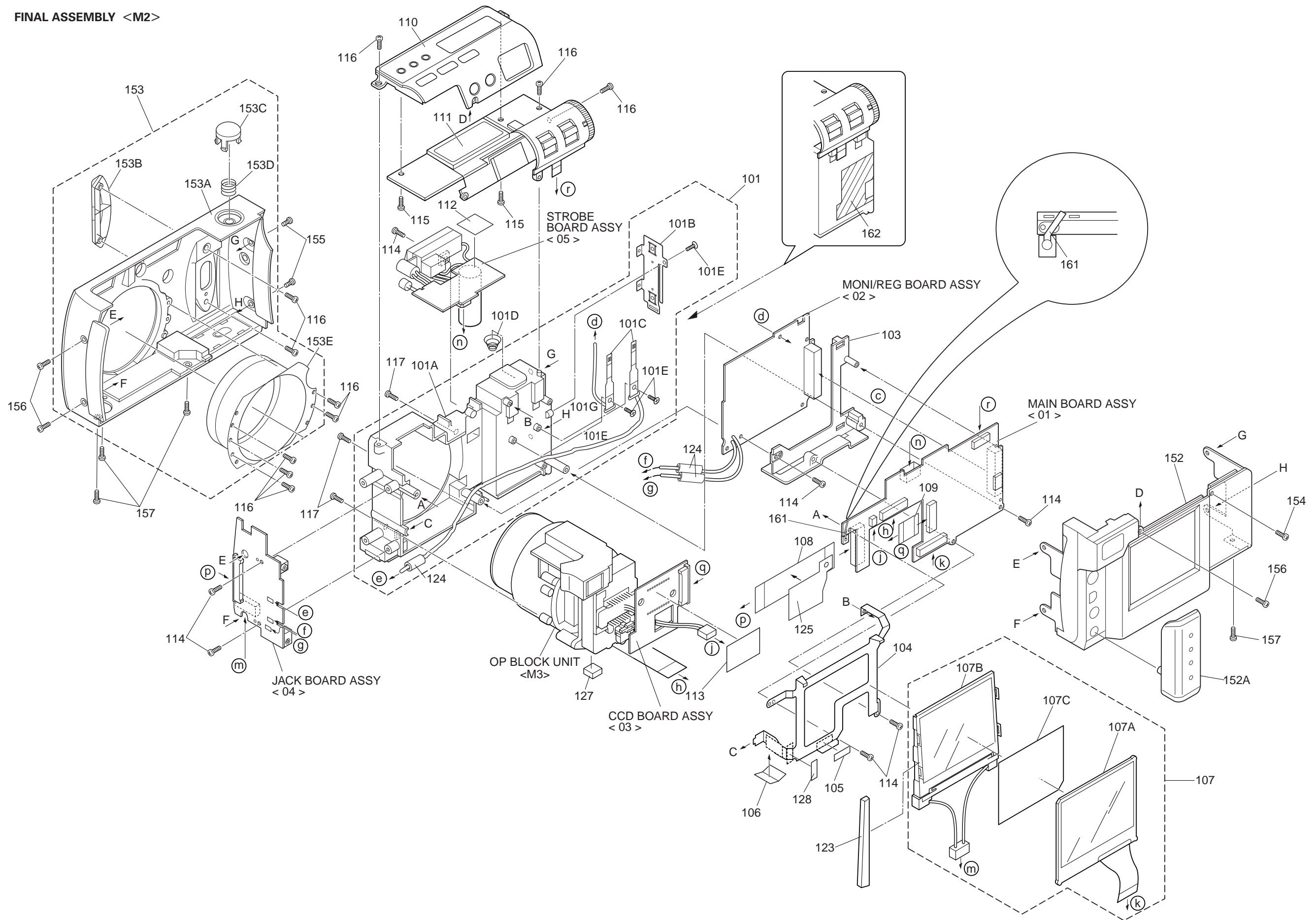
# $\triangle$	REF No.	PART No.	PART NAME, DESCRIPTION
*****			
<b>PACKING AND ACCESSORY ASSEMBLY &lt;M1&gt;</b>			
1	LY31465-002A		PACKING CASE
2	LY30023-016A		POLY BAG
3	LY31466-001A		CUSHION
4	LY42548-001A		SHEET
5	LY31822-001A		HOOD(OP)
5A	QPA01001505		POLY BAG
6	PEAC0449		DC PLUG CORD
7	PEAC0496		VIDEO CABLE
8	QAM0252-001		USB CABLE
9	LY31074-007A		CD ROM ASSEMBLY
10	BT-51020-2		REGIST.CARD
11	LY31583-002C		AC POWER ADAPTER (AA-V37U)

# $\triangle$	REF No.	PART No.	PART NAME, DESCRIPTION
12	LY31583-002A		BATTERY PACK (BN-V37U)
16	QQR0491-002		CORE FILTER
17	QQR0491-001		CORE FILTER,x2
18	QQR0917-002		CORE FILTER
21	QPA02003006		POLY BAG
24	LY30663-001A		HAND STRAP
25	LY31468-002A		LENS CAP
26	LY42313-001A		STRING
27	LY31737-001A		MEDIA CARD ASSEMBLY
28	BT-51005-4		WARRANTY INF.
$\triangle$ 31	LYT0543-001C		INST.BOOK(EN)
$\triangle$ 32	LYT0543-002A		INST.BOOK(FR)
$\triangle$ 33	LYT0543-003A		INST.BOOK(SP)
35	LYT0543-005A		SHEET(HOOD)
36	LYT0543-007A		SHEET(ATT.)

# $\triangle$	REF No.	PART No.	PART NAME, DESCRIPTION
*****			
<b>OP ASSEMBLY &lt;M3&gt;</b>			
202	LY10207-001A		COVER
203	LY31490-001B		OP BLOCK ASSEMBLY
204	LY42069-001A		SPACER
205	LYH40084-001A		CCD BASE ASSEMBLY
206	QYSPSGT1740Z		SCREW
207	QYSPSGU1750Z		SCREW
208	QYSPSGT2050Z		SCREW
221	LY20514-001B		TILT FRAME
222	LY41875-001C		RATCH PIECE
223	LY42071-001A		STOPPER PIN

# $\triangle$	REF No.	PART No.	PART NAME, DESCRIPTION
224	LY42075-001A		OPTICAL LPF
225	LY42072-001A		LPF HOLDER ASSY
226	LY42067-001A		TORSION SPRING
227	LY41870-001A		RATCH GEAR
228	LY42068-005A		MAIN PIN
229	QYWDM124025		SLIT WASHER
230	LY10206-001B		MAIN FRAME
231	LY41869-001A		SET RING
232	LY41873-001A		NUT ASSY
233	LY41874-001A		RATCH MAGNET
234	LY42070-001A		SET PLATE
235	LY42077-001B		SET SCREW
236	LY30727-001A		SCREW
237	LY30727-003A		SCREW

4.3 FINAL ASSEMBLY <M2>



# ▲ REF No. PART No. PART NAME, DESCRIPTION  
 \*\*\*\*\*

# ▲ REF No. PART No. PART NAME, DESCRIPTION  
 -----

**CABINET AND CHASSIS ASSEMBLY <M2>**

101	LY31451-001B	FRAME ASSEMBLY
101A	LY20518-001A	FRAME
101B	LY41858-001A	BRAKET(STOPPER)
101C	LY41860-001A	TERMINAL(BATTERY)
101D	LY41861-001A	SPRING(BATTERY)
101E	LY30018-019A	SPECIAL SCREW
101F	QUB221-14A3A8	WIRE,BRN
101G	QUB222-05A3A8	WIRE,RED
103	LY31457-002A	PWB HOLDER ASSEMBLY
104	LY31467-001A	HOLDER(LCD)
105	LY30029-031A	SPACER(A)
106	LY30016-085A	SPACER-A
107	LYH30184-001A	LCD MODULE ASSEMBLY
107A	QLD0131-001	LCD MODULE
107B	QLL0084-001	BACK LIGHT
107C	LY42322-001A	SHEET
108	QUQ105-3805AA	FFC WIRE,MAIN-JACK
109	QAL0234-001	FPC,MAIN-CCD
110	LY31460-003A	TOP COVER ASSEMBLY
111	LY20521-002C	OPERATION UNIT
112	LY30016-078A	SPACER-A
113	LY30029-016A	SPACER(A)
114	LY30018-060A	SPECIAL SCREW
115	LY30018-010A	SPECIAL SCREW
116	LY30018-023A	SPECIAL SCREW
117	LY30019-025A	SPECIAL SCREW
123	LY30029-067A	SPACER(A)
124	QQR1115-005	FERRITE RING
125	LY42506-001A	S.SHEET(FFC)
127	LY30029-081A	SPACER(A)
128	LY30016-068A	SPACER-A
152	LY20519-003B	REAR COVER ASSEMBLY
152A	LY31456-001A	COVER(JACK)
153	LYH20147-002A	FRONT COVER ASSEMBLY
153A	LY20516-003A	FRONT COVER
153B	LY42320-001A	GRIP ASSEMBLY
153C	LY41854-001A	KNOB(SHUTTER)
153D	LY30002-042B	COMPRES. SPRING
153E	LY31446-001B	HOOD
154	LY30018-023A	SPECIAL SCREW
155	LY30018-056A	SPECIAL SCREW
156	LY30018-059A	SPECIAL SCREW
157	LY30018-060A	SPECIAL SCREW
161	LY30029-080A	SPACER(A)
162	LY42439-001B	HEAT SINK

#### 4.4 ELECTRICAL PARTS LIST

#	△ REF No.	PART No.	PART NAME, DESCRIPTION
*****			
<b>MAIN BOARD ASSEMBLY &lt;01&gt;</b>			
OT1		YU40017-030-1	THIN WIRE
OT2		LY30029-022A	SPACER(A)
PW1		YB10282U-06	MAIN BOARD ASSEMBLY
IC401		BA10324AF-XE	IC
IC402		UPC358G2/5/-W	IC
IC501		LB1837M	IC
IC502		LB1837M	IC
IC503		TC7S14FU	IC(DIGITAL)
IC504		TC7W74FK	IC
IC2001		HD49326AF	IC
IC2002		S-814A30AMC-W	IC
IC3001		JCY0096	IC
IC3002		74AHC1G04GW	IC
IC3501		KM416S4030CC-GL	IC
IC3502		KM416S4030CC-GL	IC
IC3503		KM416S4030CC-GL	IC
IC3504		TC7SH04FU	IC(DIGITAL)
IC3701		JCY0148	IC
IC3801		SN74AHC1G04K	IC
IC3802		TC7WH74FK	IC
IC3803		TC7WH74FK	IC
IC3804		TC7WH74FK	IC
IC3805		SN74AHC1G32K	IC
IC3806		TC7WH74FK	IC
IC3807		TC7WH74FK	IC
IC3808		TC7WH74FK	IC
IC3809		SN74AHC1G32K	IC
IC4001		JCY0135	IC
IC4005		RS5C314	IC
IC4007		M62367GP	IC
IC4008		IC-PST9327U-X	IC
IC4015		ML60851CLB	IC
IC4101		IC-PST9327U-X	IC
IC4102		S-80824ANNP-W	IC
IC4103		TC7W32FK	IC
IC4104		TC7W08FK	IC
IC4105		TC7W04FK	IC
IC4106		TC7W08FK	IC
IC4107		TC7W74FK	IC
IC4501		MBV400TC90PBA04	IC(MICRO C ROM)
IC4502		MSM56V16160D1LS	IC
IC5001		JCY0097	IC
IC5002		MSM56V16160D1LS	IC
IC5003		TC7W04FK	IC
IC5004		TC7WH74FK	IC
IC5005		SN74AHC1G08K	IC
IC5006		TC7S66FU	IC(DIGITAL)
IC5007		TC7S66FU	IC(DIGITAL)
IC5008		TC7S04FU	IC
IC5009		TC7SH08FU	IC(DIGITAL)
IC5010		TC7WH74FK	IC
IC5011		TC7WH74FK	IC
IC5012		TC7S04FU	IC
IC5501		M32310D5WG	IC
IC5503		MBV400TC90PBM04	IC(MICRO C ROM)
IC6601		TC7WH74FK	IC
Q401		2SC4617/QR/-X	TRANSISTOR

#	△ REF No.	PART No.	PART NAME, DESCRIPTION	
Q402		DTA144EE	TRANSISTOR	
Q501		DTC114EE	TRANSISTOR	
Q502		DTC114EE	TRANSISTOR	
Q503		2SC4617/RS/-X	TRANSISTOR	
Q504		2SD2114K/UV/-X	TRANSISTOR	
Q4001		DTA114EE	TRANSISTOR	
Q4002		DTA144EE	TRANSISTOR	
Q4003		2SA1774/RS/-X	TRANSISTOR	
Q4004		RN1104FT	TRANSISTOR	
Q4005		DTA114EE	TRANSISTOR	
Q4006		2SB970/QRS/-X	TRANSISTOR	
		or 2SB710/R/-X	TRANSISTOR	
Q5501		2SA1774/RS/-X	TRANSISTOR	
Q5502		2SA1774/RS/-X	TRANSISTOR	
Q5503		2SA1774/RS/-X	TRANSISTOR	
Q5504		2SA1774/RS/-X	TRANSISTOR	
Q5505		2SA1774/RS/-X	TRANSISTOR	
Q6605		UN9211J	TRANSISTOR	
Q6607		UN911HJ	TRANSISTOR	
Q6609		DTC144EE	TRANSISTOR	
Q6610		UMS1N	PAIR TRANSISTOR	
Q6611		2SC4617/RS/-X	TRANSISTOR	
Q6612		UMS1N	PAIR TRANSISTOR	
Q6613		2SA1774/RS/-X	TRANSISTOR	
Q6614		XP1211	TRANSISTOR	
D501		1SS355	DIODE	
D4002		TLSU1002/LM/-X	LE DIODE	
D4004		TLGU1002/KL/-X	LE DIODE	
△ D4005		MA716	DIODE	
D4101		MA704	SB DIODE	
R405		NRSA6AJ-105W	MG RESISTOR	1MΩ, 1/16W
R407		NRSA6AJ-105W	MG RESISTOR	1MΩ, 1/16W
R408		NRSA6AJ-103W	MG RESISTOR	10kΩ, 1/16W
R409		NRSA6AJ-104W	MG RESISTOR	100kΩ, 1/16W
R410		NRSA6AJ-243W	MG RESISTOR	24kΩ, 1/16W
R411		NRSA6AJ-103W	MG RESISTOR	10kΩ, 1/16W
R413		NRSA6AJ-472W	MG RESISTOR	4.7kΩ, 1/16W
R414		NRSA6AJ-473W	MG RESISTOR	47kΩ, 1/16W
R415		NRSA6AJ-103W	MG RESISTOR	10kΩ, 1/16W
R416		NRSA6AJ-391W	MG RESISTOR	390Ω, 1/16W
R417		NRSA6AJ-472W	MG RESISTOR	4.7kΩ, 1/16W
R418		NRSA6AJ-0R0W	MG RESISTOR	0Ω, 1/16W
R419		NRSA6AJ-104W	MG RESISTOR	100kΩ, 1/16W
R420		NRSA6AJ-683W	MG RESISTOR	68kΩ, 1/16W
R421		NRSA6AJ-822W	MG RESISTOR	8.2kΩ, 1/16W
R422		NRSA6AJ-102W	MG RESISTOR	1kΩ, 1/16W
R423		NRSA6AJ-334W	MG RESISTOR	330kΩ, 1/16W
R424		NRSA6AJ-104W	MG RESISTOR	100kΩ, 1/16W
R425		NRSA6AJ-102W	MG RESISTOR	1kΩ, 1/16W
R426		NRSA6AJ-184W	MG RESISTOR	180kΩ, 1/16W
R427		NRSA6AJ-333W	MG RESISTOR	33kΩ, 1/16W
R428		NRSA6AJ-223W	MG RESISTOR	22kΩ, 1/16W
R502		NRSA6AJ-103W	MG RESISTOR	10kΩ, 1/16W
R505		NRSA6AJ-513W	MG RESISTOR	51kΩ, 1/16W
R506		NRSA6AJ-303W	MG RESISTOR	30kΩ, 1/16W
R507		NRSA6AJ-103W	MG RESISTOR	10kΩ, 1/16W
R510		NRSA6AJ-223W	MG RESISTOR	22kΩ, 1/16W
R511		NRSA6AJ-223W	MG RESISTOR	22kΩ, 1/16W
R512		NRSA6AJ-0R0W	MG RESISTOR	0Ω, 1/16W
R513		NRSA6AJ-271W	MG RESISTOR	270Ω, 1/16W
R514		NRSA6AJ-333W	MG RESISTOR	33kΩ, 1/16W

#	△	REF No.	PART No.	PART NAME, DESCRIPTION	#	△	REF No.	PART No.	PART NAME, DESCRIPTION
R515			NRSA6AJ-333W	MG RESISTOR	R3127			NRSA6AJ-680W	MG RESISTOR
R516			NRSA6AJ-271W	MG RESISTOR	R3128			NRSA6AJ-220W	MG RESISTOR
R517			NRSA6AJ-0R0W	MG RESISTOR	R3129			NRSA6AJ-220W	MG RESISTOR
R518			NRSA6AJ-0R0W	MG RESISTOR	R3131			NRSA6AJ-473W	MG RESISTOR
R519			NRSA6AJ-103W	MG RESISTOR	R3132			NRSA6AJ-473W	MG RESISTOR
R520			NRSA6AJ-223W	MG RESISTOR	R3133			NRSA6AJ-473W	MG RESISTOR
R2001			NRSA6AJ-100W	MG RESISTOR	R3134			NRSA6AJ-473W	MG RESISTOR
R2002			NRSA6AJ-100W	MG RESISTOR	R3135			NRSA6AJ-473W	MG RESISTOR
R2003			NRSA6AJ-243W	MG RESISTOR	R3176			NRSA6AJ-151W	MG RESISTOR
R2004			NRSA6AJ-220W	MG RESISTOR	R3177			NRSA6AJ-151W	MG RESISTOR
R2008			NRSA6AJ-0R0W	MG RESISTOR	R3178			NRSA6AJ-151W	MG RESISTOR
R2011			NRSA6AJ-0R0W	MG RESISTOR	R3182			NRSA6AJ-0R0W	MG RESISTOR
R3002			NRSA6AJ-0R0W	MG RESISTOR	R3183			NRSA6AJ-0R0W	MG RESISTOR
R3003			NRSA6AJ-0R0W	MG RESISTOR	R3184			NRSA6AJ-0R0W	MG RESISTOR
R3005			NRSA6AJ-473W	MG RESISTOR	R3198			NRSA6AJ-0R0W	MG RESISTOR
R3007			NRSA6AJ-103W	MG RESISTOR	R3199			NRSA6AJ-0R0W	MG RESISTOR
R3008			NRSA6AJ-103W	MG RESISTOR	R3200			NRSA6AJ-0R0W	MG RESISTOR
R3009			NRSA6AJ-103W	MG RESISTOR	R3201			NRSA6AJ-0R0W	MG RESISTOR
R3010			NRSA6AJ-103W	MG RESISTOR	R3202			NRSA6AJ-0R0W	MG RESISTOR
R3011			NRSA6AJ-103W	MG RESISTOR	R3203			NRSA6AJ-0R0W	MG RESISTOR
R3012			NRSA6AJ-103W	MG RESISTOR	R3204			NRSA6AJ-0R0W	MG RESISTOR
R3013			NRSA6AJ-332W	MG RESISTOR	R3205			NRSA6AJ-0R0W	MG RESISTOR
R3014			NRSA6AJ-103W	MG RESISTOR	R3206			NRSA6AJ-0R0W	MG RESISTOR
R3015			NRSA6AJ-103W	MG RESISTOR	R3207			NRSA6AJ-0R0W	MG RESISTOR
R3016			NRSA6AJ-103W	MG RESISTOR	R3248			NRSA6AJ-0R0W	MG RESISTOR
R3017			NRSA6AJ-103W	MG RESISTOR	R3249			NRSA6AJ-103W	MG RESISTOR
R3018			NRSA6AJ-103W	MG RESISTOR	R3250			NRSA6AJ-103W	MG RESISTOR
R3019			NRSA6AJ-103W	MG RESISTOR	R3271			NRSA6AJ-0R0W	MG RESISTOR
R3020			NRSA6AJ-103W	MG RESISTOR	R3272			NRSA6AJ-103W	MG RESISTOR
R3021			NRSA6AJ-103W	MG RESISTOR	R3273			NRSA6AJ-103W	MG RESISTOR
R3022			NRSA6AJ-103W	MG RESISTOR	R3274			NRSA6AJ-0R0W	MG RESISTOR
R3023			NRSA6AJ-103W	MG RESISTOR	R3295			NRSA6AJ-102W	MG RESISTOR
R3024			NRSA6AJ-473W	MG RESISTOR	R3296			NRSA6AJ-102W	MG RESISTOR
R3031			NRSA6AJ-0R0W	MG RESISTOR	R3297			NRSA6AJ-103W	MG RESISTOR
R3032			NRSA6AJ-0R0W	MG RESISTOR	R3503			NRSA6AJ-473W	MG RESISTOR
R3033			NRSA6AJ-0R0W	MG RESISTOR	R3504			NRSA6AJ-0R0W	MG RESISTOR
R3034			NRSA6AJ-0R0W	MG RESISTOR	R3505			NRSA6AJ-0R0W	MG RESISTOR
R3035			NRSA6AJ-0R0W	MG RESISTOR	R3506			NRSA6AJ-0R0W	MG RESISTOR
R3036			NRSA6AJ-0R0W	MG RESISTOR	R3507			NRSA6AJ-0R0W	MG RESISTOR
R3037			NRSA6AJ-0R0W	MG RESISTOR	R3508			NRSA6AJ-0R0W	MG RESISTOR
R3038			NRSA6AJ-0R0W	MG RESISTOR	R3722			NRSA6AJ-473W	MG RESISTOR
R3039			NRSA6AJ-0R0W	MG RESISTOR	R3723			NRSA6AJ-473W	MG RESISTOR
R3040			NRSA6AJ-0R0W	MG RESISTOR	R3724			NRSA6AJ-0R0W	MG RESISTOR
R3041			NRSA6AJ-0R0W	MG RESISTOR	R3725			NRSA6AJ-473W	MG RESISTOR
R3042			NRSA6AJ-103W	MG RESISTOR	R3726			NRSA6AJ-473W	MG RESISTOR
R3043			NRSA6AJ-103W	MG RESISTOR	R3727			NRSA6AJ-473W	MG RESISTOR
R3044			NRSA6AJ-103W	MG RESISTOR	R3728			NRSA6AJ-473W	MG RESISTOR
R3072			NRSA6AJ-0R0W	MG RESISTOR	R3729			NRSA6AJ-473W	MG RESISTOR
R3073			NRSA6AJ-0R0W	MG RESISTOR	R3730			NRSA6AJ-473W	MG RESISTOR
R3074			NRSA6AJ-0R0W	MG RESISTOR	R3731			NRSA6AJ-473W	MG RESISTOR
R3115			NRSA6AJ-0R0W	MG RESISTOR	R3732			NRSA6AJ-473W	MG RESISTOR
R3116			NRSA6AJ-0R0W	MG RESISTOR	R3733			NRSA6AJ-473W	MG RESISTOR
R3118			NRSA6AJ-0R0W	MG RESISTOR	R3734			NRSA6AJ-473W	MG RESISTOR
R3119			NRSA6AJ-220W	MG RESISTOR	R3735			NRSA6AJ-473W	MG RESISTOR
R3120			NRSA6AJ-220W	MG RESISTOR	R3736			NRSA6AJ-473W	MG RESISTOR
R3121			NRSA6AJ-680W	MG RESISTOR	R3737			NRSA6AJ-473W	MG RESISTOR
R3122			NRSA6AJ-680W	MG RESISTOR	R3738			NRSA6AJ-473W	MG RESISTOR
R3123			NRSA6AJ-0R0W	MG RESISTOR	R3739			NRSA6AJ-332W	MG RESISTOR
R3124			NRSA6AJ-680W	MG RESISTOR	R3740			NRSA6AJ-473W	MG RESISTOR
R3125			NRSA6AJ-680W	MG RESISTOR	R3801			NRSA6AJ-0R0W	MG RESISTOR
R3126			NRSA6AJ-680W	MG RESISTOR	R4001			NRSA6AJ-103W	MG RESISTOR

#	△ REF No.	PART No.	PART NAME, DESCRIPTION	#	△ REF No.	PART No.	PART NAME, DESCRIPTION
R4002		NRSA6AJ-0R0W	MG RESISTOR 0Ω,1/16W	R4075		NRSA6AJ-103W	MG RESISTOR 10kΩ,1/16W
R4003		NRSA6AJ-0R0W	MG RESISTOR 0Ω,1/16W	R4076		NRSA6AJ-103W	MG RESISTOR 10kΩ,1/16W
R4004		NRSA6AJ-0R0W	MG RESISTOR 0Ω,1/16W	R4078		NRSA6AJ-220W	MG RESISTOR 22Ω,1/16W
R4005		NRSA6AJ-0R0W	MG RESISTOR 0Ω,1/16W	R4079		NRSA6AJ-220W	MG RESISTOR 22Ω,1/16W
R4006		NRSA6AJ-0R0W	MG RESISTOR 0Ω,1/16W	R4080		NRSA6AJ-152W	MG RESISTOR 1.5kΩ,1/16W
R4007		NRSA6AJ-0R0W	MG RESISTOR 0Ω,1/16W	R4081		NRSA6AJ-103W	MG RESISTOR 10kΩ,1/16W
R4008		NRSA6AJ-0R0W	MG RESISTOR 0Ω,1/16W	R4082		NRSA6AJ-105W	MG RESISTOR 1MΩ,1/16W
R4009		NRSA6AJ-0R0W	MG RESISTOR 0Ω,1/16W	R4083		NRSA02J-220X	MG RESISTOR 22Ω,1/10W
R4010		NRSA6AJ-0R0W	MG RESISTOR 0Ω,1/16W	R4084		NRSA02J-220X	MG RESISTOR 22Ω,1/10W
R4011		NRSA6AJ-103W	MG RESISTOR 10kΩ,1/16W	R4085		NRSA6AJ-102W	MG RESISTOR 1kΩ,1/16W
R4012		NRSA6AJ-103W	MG RESISTOR 10kΩ,1/16W	R4101		NRSA6AJ-0R0W	MG RESISTOR 0Ω,1/16W
R4013		NRSA6AJ-103W	MG RESISTOR 10kΩ,1/16W	R4102		NRSA6AJ-103W	MG RESISTOR 10kΩ,1/16W
R4014		NRSA6AJ-271W	MG RESISTOR 270Ω,1/16W	R4103		NRSA6AJ-104W	MG RESISTOR 100kΩ,1/16W
R4016		NRSA6AJ-103W	MG RESISTOR 10kΩ,1/16W	R4104		NRSA6AJ-104W	MG RESISTOR 100kΩ,1/16W
R4017		NRSA6AJ-103W	MG RESISTOR 10kΩ,1/16W	R4105		NRSA6AJ-0R0W	MG RESISTOR 0Ω,1/16W
R4018		NRSA6AJ-103W	MG RESISTOR 10kΩ,1/16W	R4106		NRSA6AJ-105W	MG RESISTOR 1MΩ,1/16W
R4019		NRSA6AJ-103W	MG RESISTOR 10kΩ,1/16W	R4107		NRSA6AJ-0R0W	MG RESISTOR 0Ω,1/16W
R4020		NRSA6AJ-103W	MG RESISTOR 10kΩ,1/16W	R4108		NRSA6AJ-0R0W	MG RESISTOR 0Ω,1/16W
R4021		NRSA6AJ-103W	MG RESISTOR 10kΩ,1/16W	R4184		NRSA6AJ-471W	MG RESISTOR 470Ω,1/16W
R4022		NRSA6AJ-103W	MG RESISTOR 10kΩ,1/16W	R4185		NRSA6AJ-0R0W	MG RESISTOR 0Ω,1/16W
R4023		NRSA6AJ-103W	MG RESISTOR 10kΩ,1/16W	R4501		NRSA6AJ-0R0W	MG RESISTOR 0Ω,1/16W
R4024		NRSA6AJ-102W	MG RESISTOR 1kΩ,1/16W	R5001		NRSA6AJ-123W	MG RESISTOR 12kΩ,1/16W
R4025		NRSA6AJ-103W	MG RESISTOR 10kΩ,1/16W	R5002		NRSA6AJ-103W	MG RESISTOR 10kΩ,1/16W
R4026		NRSA6AJ-103W	MG RESISTOR 10kΩ,1/16W	R5003		NRSA6AJ-123W	MG RESISTOR 12kΩ,1/16W
R4028		NRSA6AJ-103W	MG RESISTOR 10kΩ,1/16W	R5004		NRSA6AJ-103W	MG RESISTOR 10kΩ,1/16W
R4029		NRSA6AJ-103W	MG RESISTOR 10kΩ,1/16W	R5005		NRSA6AJ-123W	MG RESISTOR 12kΩ,1/16W
R4030		NRSA6AJ-103W	MG RESISTOR 10kΩ,1/16W	R5006		NRSA6AJ-103W	MG RESISTOR 10kΩ,1/16W
R4031		NRSA6AJ-103W	MG RESISTOR 10kΩ,1/16W	R5007		NRSA6AJ-0R0W	MG RESISTOR 0Ω,1/16W
R4032		NRSA6AJ-0R0W	MG RESISTOR 0Ω,1/16W	R5008		NRSA6AJ-0R0W	MG RESISTOR 0Ω,1/16W
R4034		NRSA6AJ-0R0W	MG RESISTOR 0Ω,1/16W	R5009		NRSA6AJ-102W	MG RESISTOR 1kΩ,1/16W
R4035		NRSA6AJ-103W	MG RESISTOR 10kΩ,1/16W	R5010		NRSA6AJ-0R0W	MG RESISTOR 0Ω,1/16W
R4036		NRSA6AJ-222W	MG RESISTOR 2.2kΩ,1/16W	R5013		NRSA6AJ-0R0W	MG RESISTOR 0Ω,1/16W
R4037		NRSA6AJ-104W	MG RESISTOR 100kΩ,1/16W	R5014		NRSA6AJ-0R0W	MG RESISTOR 0Ω,1/16W
R4038		NRSA6AJ-0R0W	MG RESISTOR 0Ω,1/16W	R5015		NRSA6AJ-0R0W	MG RESISTOR 0Ω,1/16W
R4039		NRSA6AJ-0R0W	MG RESISTOR 0Ω,1/16W	R5017		NRSA6AJ-0R0W	MG RESISTOR 0Ω,1/16W
R4040		NRSA6AJ-0R0W	MG RESISTOR 0Ω,1/16W	R5018		NRSA6AJ-272W	MG RESISTOR 2.7kΩ,1/16W
R4041		NRSA6AJ-0R0W	MG RESISTOR 0Ω,1/16W	R5019		NRSA6AJ-272W	MG RESISTOR 2.7kΩ,1/16W
R4042		NRSA6AJ-0R0W	MG RESISTOR 0Ω,1/16W	R5020		NRSA6AJ-272W	MG RESISTOR 2.7kΩ,1/16W
R4043		NRSA6AJ-0R0W	MG RESISTOR 0Ω,1/16W	R5040		NRSA6AJ-0R0W	MG RESISTOR 0Ω,1/16W
R4044		NRSA6AJ-473W	MG RESISTOR 47kΩ,1/16W	R5041		NRSA6AJ-0R0W	MG RESISTOR 0Ω,1/16W
R4046		NRSA6AJ-103W	MG RESISTOR 10kΩ,1/16W	R5042		NRSA6AJ-102W	MG RESISTOR 1kΩ,1/16W
R4047		NRSA6AJ-103W	MG RESISTOR 10kΩ,1/16W	R5044		NRSA6AJ-0R0W	MG RESISTOR 0Ω,1/16W
R4048		NRSA6AJ-103W	MG RESISTOR 10kΩ,1/16W	R5045		NRSA6AJ-0R0W	MG RESISTOR 0Ω,1/16W
R4049		NRSA6AJ-103W	MG RESISTOR 10kΩ,1/16W	R5046		NRSA6AJ-563W	MG RESISTOR 56kΩ,1/16W
R4050		NRSA6AJ-103W	MG RESISTOR 10kΩ,1/16W	R5047		NRSA6AJ-0R0W	MG RESISTOR 0Ω,1/16W
R4052		NRSA6AJ-473W	MG RESISTOR 47kΩ,1/16W	R5048		NRSA6AJ-563W	MG RESISTOR 56kΩ,1/16W
R4055		NRSA6AJ-103W	MG RESISTOR 10kΩ,1/16W	R5049		NRSA6AJ-0R0W	MG RESISTOR 0Ω,1/16W
R4056		NRSA6AJ-103W	MG RESISTOR 10kΩ,1/16W	R5050		NRSA6AJ-563W	MG RESISTOR 56kΩ,1/16W
R4057		NRSA6AJ-104W	MG RESISTOR 100kΩ,1/16W	R5051		NRSA6AJ-0R0W	MG RESISTOR 0Ω,1/16W
R4058		NRSA6AJ-103W	MG RESISTOR 10kΩ,1/16W	R5052		NRSA6AJ-563W	MG RESISTOR 56kΩ,1/16W
R4059		NRSA6AJ-823W	MG RESISTOR 82kΩ,1/16W	R5053		NRSA6AJ-0R0W	MG RESISTOR 0Ω,1/16W
R4060		NRSA6AJ-562W	MG RESISTOR 5.6kΩ,1/16W	R5054		NRSA6AJ-0R0W	MG RESISTOR 0Ω,1/16W
R4061		NRSA6AJ-473W	MG RESISTOR 47kΩ,1/16W	R5055		NRSA6AJ-0R0W	MG RESISTOR 0Ω,1/16W
△ R4062		NRSA6AJ-102W	MG RESISTOR 1kΩ,1/16W	R5056		NRSA6AJ-0R0W	MG RESISTOR 0Ω,1/16W
△ R4063		NRSA6AJ-331W	MG RESISTOR 330Ω,1/16W	R5060		NRSA6AJ-0R0W	MG RESISTOR 0Ω,1/16W
R4064		NRSA6AJ-103W	MG RESISTOR 10kΩ,1/16W	R5063		NRSA6AJ-0R0W	MG RESISTOR 0Ω,1/16W
R4065		NRSA6AJ-103W	MG RESISTOR 10kΩ,1/16W	R5064		NRSA6AJ-103W	MG RESISTOR 10kΩ,1/16W
R4066		NRSA6AJ-103W	MG RESISTOR 10kΩ,1/16W	R5065		NRSA6AJ-103W	MG RESISTOR 10kΩ,1/16W
R4067		NRSA6AJ-0R0W	MG RESISTOR 0Ω,1/16W	R5066		NRSA6AJ-0R0W	MG RESISTOR 0Ω,1/16W
R4071		NRSA6AJ-103W	MG RESISTOR 10kΩ,1/16W	R5067		NRSA6AJ-0R0W	MG RESISTOR 0Ω,1/16W
R4072		NRSA6AJ-220W	MG RESISTOR 22Ω,1/16W	R5068		NRSA6AJ-0R0W	MG RESISTOR 0Ω,1/16W

#	△	REF No.	PART No.	PART NAME, DESCRIPTION	#	△	REF No.	PART No.	PART NAME, DESCRIPTION	
R5092			NRSA6AJ-0R0W	MG RESISTOR	0Ω,1/16W	RA5025		NRZ0034-0R0W	NET RESISTOR	0Ω
R5094			NRSA6AJ-0R0W	MG RESISTOR	0Ω,1/16W	RA5026		NRZ0034-0R0W	NET RESISTOR	0Ω
R5095			NRSA6AJ-0R0W	MG RESISTOR	0Ω,1/16W	RA5027		NRZ0034-0R0W	NET RESISTOR	0Ω
R5096			NRSA6AJ-0R0W	MG RESISTOR	0Ω,1/16W	RA5028		NRZ0034-0R0W	NET RESISTOR	0Ω
R5097			NRSA6AJ-0R0W	MG RESISTOR	0Ω,1/16W	RA5029		NRZ0034-0R0W	NET RESISTOR	0Ω
R5154			NRSA6AJ-0R0W	MG RESISTOR	0Ω,1/16W	C402		NBE90JM-106X	T CAPACITOR	10μF,6.3V
R5155			NRSA6AJ-0R0W	MG RESISTOR	0Ω,1/16W	C403		NCFA1AZ-104W	CAPACITOR	0.1μF,10V
R5158			NRSA6AJ-0R0W	MG RESISTOR	0Ω,1/16W	C410		NCBA1CK-103W	CAPACITOR	0.01μF,16V
R5159			NRSA6AJ-472W	MG RESISTOR	4.7kΩ,1/16W	C411		NCFA1AZ-104W	CAPACITOR	0.1μF,10V
R5268			NRSA6AJ-0R0W	MG RESISTOR	0Ω,1/16W	C414		NCFA1AZ-104W	CAPACITOR	0.1μF,10V
R5501			NRSA6AJ-473W	MG RESISTOR	47kΩ,1/16W	C416		NCFA1AZ-104W	CAPACITOR	0.1μF,10V
R5502			NRSA6AJ-563W	MG RESISTOR	56kΩ,1/16W	C418		NCB21AK-105X	CAPACITOR	1μF,10V
R5503			NRSA6AJ-103W	MG RESISTOR,B	10kΩ,1/16W	C419		NCB21AK-105X	CAPACITOR	1μF,10V
R5506			NRSA6AJ-0R0W	MG RESISTOR	0Ω,1/16W	C421		NCBA1CK-103W	CAPACITOR	0.01μF,16V
R5510			NRSA6AJ-473W	MG RESISTOR	47kΩ,1/16W	C425		NCFA1AZ-104W	CAPACITOR	0.1μF,10V
R5513			NRSA6AJ-0R0W	MG RESISTOR	0Ω,1/16W	C501		NBE90JM-106X	T CAPACITOR	10μF,6.3V
R5514			NRSA6AJ-0R0W	MG RESISTOR	0Ω,1/16W	C502		NCFA1AZ-104W	CAPACITOR	0.1μF,10V
R5515			NRSA6AJ-0R0W	MG RESISTOR	0Ω,1/16W	C503		NBE21AM-106X	T CAPACITOR	10μF,10V
R5517			NRSA6AJ-473W	MG RESISTOR	47kΩ,1/16W	C504		NCFA1AZ-104W	CAPACITOR	0.1μF,10V
R5520			NRSA6AJ-563W	MG RESISTOR	56kΩ,1/16W	C505		NBE21AM-106X	T CAPACITOR	10μF,10V
R5521			NRSA6AJ-0R0W	MG RESISTOR	0Ω,1/16W	C506		NCFA1AZ-104W	CAPACITOR	0.1μF,10V
R5523			NRVA6AD-151W	CMF RESISTOR	150Ω,1/16W	C509		NCFA1AZ-104W	CAPACITOR	0.1μF,10V
R5524			NRSA6AJ-331W	MG RESISTOR	330Ω,1/16W	C510		NCFA1AZ-104W	CAPACITOR	0.1μF,10V
R5525			NRSA6AJ-331W	MG RESISTOR	330Ω,1/16W	C511		NCFA1AZ-104W	CAPACITOR	0.1μF,10V
R5526			NRVA6AD-151W	CMF RESISTOR	150Ω,1/16W	C512		NCFA1AZ-104W	CAPACITOR	0.1μF,10V
R5527			NRSA6AJ-222W	MG RESISTOR	2.2kΩ,1/16W	C2001		NCFA1AZ-104W	CAPACITOR	0.1μF,10V
R5528			NRSA6AJ-0R0W	MG RESISTOR	0Ω,1/16W	C2002		NCFA1AZ-104W	CAPACITOR	0.1μF,10V
R5530			NRVA6AD-130W	CMF RESISTOR	13Ω,1/16W	C2003		NCFA1AZ-104W	CAPACITOR	0.1μF,10V
R5531			NRVA6AD-131W	CMF RESISTOR	130Ω,1/16W	C2004		NCFA1AZ-104W	CAPACITOR	0.1μF,10V
R5532			NRSA6AJ-222W	MG RESISTOR	2.2kΩ,1/16W	C2005		NCFA1AZ-104W	CAPACITOR	0.1μF,10V
R5533			NRVA6AD-470W	CMF RESISTOR	47Ω,1/16W	C2006		NBE90JM-106X	T CAPACITOR	10μF,6.3V
R5534			NRVA6AD-101W	CMF RESISTOR	100Ω,1/16W	C2007		NCFA1AZ-104W	CAPACITOR	0.1μF,10V
R5535			NRSA6AJ-222W	MG RESISTOR	2.2kΩ,1/16W	C2008		NCFA1AZ-104W	CAPACITOR	0.1μF,10V
R5537			NRSA6AJ-473W	MG RESISTOR	47kΩ,1/16W	C2009		NCFA1AZ-104W	CAPACITOR	0.1μF,10V
R5538			NRSA6AJ-0R0W	MG RESISTOR	0Ω,1/16W	C2010		NCFA1AZ-104W	CAPACITOR	0.1μF,10V
R5540			NRSA6AJ-0R0W	MG RESISTOR	0Ω,1/16W	C2011		NCB21CK-473X	CAPACITOR	0.047μF,16V
R5542			NRSA6AJ-0R0W	MG RESISTOR	0Ω,1/16W	C2012		NCBA1CK-223W	CAPACITOR	0.022μF,16V
R5543			NRSA6AJ-0R0W	MG RESISTOR	0Ω,1/16W	C2013		NCB21CK-105X	CAPACITOR	1μF,16V
R5544			NRSA6AJ-473W	MG RESISTOR	47kΩ,1/16W	C2015		NBE90JM-106X	T CAPACITOR	10μF,6.3V
R5545			NRSA6AJ-0R0W	MG RESISTOR	0Ω,1/16W	C2017		NBE90JM-106X	T CAPACITOR	10μF,6.3V
R6603			NRSA63J-822X	MG RESISTOR	8.2kΩ,1/16W	C3001		NCFA1AZ-104W	CAPACITOR	0.1μF,10V
R6609			NRSA63J-683X	MG RESISTOR	68kΩ,1/16W	C3002		NCFA1AZ-104W	CAPACITOR	0.1μF,10V
R6610			NRSA63J-104X	MG RESISTOR	100kΩ,1/16W	C3003		NCFA1AZ-104W	CAPACITOR	0.1μF,10V
R6612			NRSA63J-333X	MG RESISTOR	33kΩ,1/16W	C3004		NCFA1AZ-104W	CAPACITOR	0.1μF,10V
R6613			NRSA63J-335X	MG RESISTOR	3.3MΩ,1/16W	C3005		NCFA1AZ-104W	CAPACITOR	0.1μF,10V
R6617			NRSA63J-684X	MG RESISTOR	680kΩ,1/16W	C3006		NCFA1AZ-104W	CAPACITOR	0.1μF,10V
R6621			NRSA63J-184X	MG RESISTOR	180kΩ,1/16W	C3007		NCFA1AZ-104W	CAPACITOR	0.1μF,10V
R6622			NRSA63J-823X	MG RESISTOR	82kΩ,1/16W	C3008		NCFA1AZ-104W	CAPACITOR	0.1μF,10V
R6623			NRSA63J-473X	MG RESISTOR	47kΩ,1/16W	C3009		NCFA1AZ-104W	CAPACITOR	0.1μF,10V
R6625			NRSA63J-473X	MG RESISTOR	47kΩ,1/16W	C3010		NCFA1AZ-104W	CAPACITOR	0.1μF,10V
R6626			NRSA63J-474X	MG RESISTOR	470kΩ,1/16W	C3011		NCFA1AZ-104W	CAPACITOR	0.1μF,10V
RA2001			NRZ0034-100W	NET RESISTOR	10Ω	C3012		NCFA1AZ-104W	CAPACITOR	0.1μF,10V
RA2002			NRZ0034-100W	NET RESISTOR	10Ω	C3013		NCFA1AZ-104W	CAPACITOR	0.1μF,10V
RA3001			NRZ0034-0R0W	NET RESISTOR	0Ω	C3014		NCFA1AZ-104W	CAPACITOR	0.1μF,10V
RA3002			NRZ0034-0R0W	NET RESISTOR	0Ω	C3015		NCFA1AZ-104W	CAPACITOR	0.1μF,10V
RA3003			NRZ0034-0R0W	NET RESISTOR	0Ω	C3016		NCFA1AZ-104W	CAPACITOR	0.1μF,10V
RA3004			NRZ0034-0R0W	NET RESISTOR	0Ω	C3017		NCFA1AZ-104W	CAPACITOR	0.1μF,10V
RA3005			NRZ0034-0R0W	NET RESISTOR	0Ω	C3018		NCFA1AZ-104W	CAPACITOR	0.1μF,10V
RA3006			NRZ0034-0R0W	NET RESISTOR	0Ω	C3019		NCFA1AZ-104W	CAPACITOR	0.1μF,10V
RA3007			NRZ0034-0R0W	NET RESISTOR	0Ω	C3020		NCFA1AZ-104W	CAPACITOR	0.1μF,10V
RA5024			NRZ0034-0R0W	NET RESISTOR	0Ω	C3021		NCFA1AZ-104W	CAPACITOR	0.1μF,10V

#	△ REF No.	PART No.	PART NAME, DESCRIPTION	#	△ REF No.	PART No.	PART NAME, DESCRIPTION
C3022		NCFA1AZ-104W	CAPACITOR 0.1μF,10V	C4018		NCBA1CK-103W	CAPACITOR 0.01μF,16V
C3023		NCFA1AZ-104W	CAPACITOR 0.1μF,10V	C4021		NBE90JM-106X	T CAPACITOR 10μF,6.3V
C3024		NCFA1AZ-104W	CAPACITOR 0.1μF,10V	C4022		NCBA1CK-103W	CAPACITOR 0.01μF,16V
C3025		NCFA1AZ-104W	CAPACITOR 0.1μF,10V	C4027		NCBA1AK-473W	CAPACITOR 0.047μF,10V
C3026		NBE90JM-106X	T CAPACITOR 10μF,6.3V	C4028		NCFA1AZ-104W	CAPACITOR 0.1μF,10V
C3027		NCFA1AZ-104W	CAPACITOR 0.1μF,10V	C4101		NCFA1AZ-104W	CAPACITOR 0.1μF,10V
C3028		NCFA1AZ-104W	CAPACITOR 0.1μF,10V	C4102		NCFA1AZ-104W	CAPACITOR 0.1μF,10V
C3029		NBE90JM-106X	T CAPACITOR 10μF,6.3V	C4103		NCBA1CK-103W	CAPACITOR 0.01μF,16V
C3030		NCFA1AZ-104W	CAPACITOR 0.1μF,10V	C4501		NBE90JM-106X	T CAPACITOR 10μF,6.3V
C3031		NCFA1AZ-104W	CAPACITOR 0.1μF,10V	C4502		NCFA1AZ-104W	CAPACITOR 0.1μF,10V
C3032		NCFA1AZ-104W	CAPACITOR 0.1μF,10V	C4503		NCFA1AZ-104W	CAPACITOR 0.1μF,10V
C3033		NCFA1AZ-104W	CAPACITOR 0.1μF,10V	C4504		NCFA1AZ-104W	CAPACITOR 0.1μF,10V
C3034		NCFA1AZ-104W	CAPACITOR 0.1μF,10V	C4505		NCFA1AZ-104W	CAPACITOR 0.1μF,10V
C3035		NCFA1AZ-104W	CAPACITOR 0.1μF,10V	C4506		NCFA1AZ-104W	CAPACITOR 0.1μF,10V
C3036		NCFA1AZ-104W	CAPACITOR 0.1μF,10V	C4507		NCFA1AZ-104W	CAPACITOR 0.1μF,10V
C3037		NCFA1AZ-104W	CAPACITOR 0.1μF,10V	C4508		NCFA1AZ-104W	CAPACITOR 0.1μF,10V
C3038		NCFA1AZ-104W	CAPACITOR 0.1μF,10V	C4509		NCFA1AZ-104W	CAPACITOR 0.1μF,10V
C3039		NCFA1AZ-104W	CAPACITOR 0.1μF,10V	C4511		NBE90JM-106X	T CAPACITOR 10μF,6.3V
C3040		NCFA1AZ-104W	CAPACITOR 0.1μF,10V	C5001		NBE90JM-106X	T CAPACITOR 10μF,6.3V
C3041		NCFA1AZ-104W	CAPACITOR 0.1μF,10V	C5002		NCFA1AZ-104W	CAPACITOR 0.1μF,10V
C3042		NBE90JM-106X	T CAPACITOR 10μF,6.3V	C5003		NBE90JM-106X	T CAPACITOR 10μF,6.3V
C3043		NBE90JM-106X	T CAPACITOR 10μF,6.3V	C5004		NCFA1AZ-104W	CAPACITOR 0.1μF,10V
C3045		NDCA1HJ-101W	CAPACITOR 100pF,50V	C5005		NBE90JM-106X	T CAPACITOR 10μF,6.3V
C3050		NCFA1AZ-104W	CAPACITOR 0.1μF,10V	C5006		NCFA1AZ-104W	CAPACITOR 0.1μF,10V
C3501		NBE90JM-106X	T CAPACITOR 10μF,6.3V	C5007		NCFA1AZ-104W	CAPACITOR 0.1μF,10V
C3502		NCFA1AZ-104W	CAPACITOR 0.1μF,10V	C5013		NCFA1AZ-104W	CAPACITOR 0.1μF,10V
C3503		NBE90JM-106X	T CAPACITOR 10μF,6.3V	C5014		NCFA1AZ-104W	CAPACITOR 0.1μF,10V
C3504		NCFA1AZ-104W	CAPACITOR 0.1μF,10V	C5015		NCFA1AZ-104W	CAPACITOR 0.1μF,10V
C3511		NCFA1AZ-104W	CAPACITOR 0.1μF,10V	C5016		NCFA1AZ-104W	CAPACITOR 0.1μF,10V
C3517		NCFA1AZ-104W	CAPACITOR 0.1μF,10V	C5017		NCFA1AZ-104W	CAPACITOR 0.1μF,10V
C3518		NCFA1AZ-104W	CAPACITOR 0.1μF,10V	C5018		NCFA1AZ-104W	CAPACITOR 0.1μF,10V
C3525		NCFA1AZ-104W	CAPACITOR 0.1μF,10V	C5019		NCFA1AZ-104W	CAPACITOR 0.1μF,10V
C3526		NBE90JM-106X	T CAPACITOR 10μF,6.3V	C5020		NCFA1AZ-104W	CAPACITOR 0.1μF,10V
C3527		NBE90JM-106X	T CAPACITOR 10μF,6.3V	C5021		NBE90JM-106X	T CAPACITOR 10μF,6.3V
C3528		NCFA1AZ-104W	CAPACITOR 0.1μF,10V	C5022		NCFA1AZ-104W	CAPACITOR 0.1μF,10V
C3529		NCFA1AZ-104W	CAPACITOR 0.1μF,10V	C5023		NCFA1AZ-104W	CAPACITOR 0.1μF,10V
C3530		NCFA1AZ-104W	CAPACITOR 0.1μF,10V	C5024		NCFA1AZ-104W	CAPACITOR 0.1μF,10V
C3701		NBE90JM-106X	T CAPACITOR 10μF,6.3V	C5025		NCFA1AZ-104W	CAPACITOR 0.1μF,10V
C3702		NCFA1AZ-104W	CAPACITOR 0.1μF,10V	C5501		NBE90JM-106X	T CAPACITOR 10μF,6.3V
C3703		NCFA1AZ-104W	CAPACITOR 0.1μF,10V	C5502		NCFA1AZ-104W	CAPACITOR 0.1μF,10V
C3704		NCFA1AZ-104W	CAPACITOR 0.1μF,10V	C5503		NDCA1HJ-100W	CAPACITOR 10pF,50V
C3705		NCFA1AZ-104W	CAPACITOR 0.1μF,10V	C5505		NCFA1AZ-104W	CAPACITOR 0.1μF,10V
C3706		NDCA1HJ-101W	CAPACITOR 100pF,50V	C5506		NCFA1AZ-104W	CAPACITOR 0.1μF,10V
C3801		NCFA1AZ-104W	CAPACITOR 0.1μF,10V	C5511		NBE90JM-106X	T CAPACITOR 10μF,6.3V
C3802		NCFA1AZ-104W	CAPACITOR 0.1μF,10V	C5512		NCFA1AZ-104W	CAPACITOR 0.1μF,10V
C3803		NCFA1AZ-104W	CAPACITOR 0.1μF,10V	C5513		NCFA1AZ-104W	CAPACITOR 0.1μF,10V
C3804		NCFA1AZ-104W	CAPACITOR 0.1μF,10V	C5514		NBE90JM-106X	T CAPACITOR 10μF,6.3V
C3805		NCFA1AZ-104W	CAPACITOR 0.1μF,10V	C5515		NBE90JM-106X	T CAPACITOR 10μF,6.3V
C3806		NCFA1AZ-104W	CAPACITOR 0.1μF,10V	C5516		NCFA1AZ-104W	CAPACITOR 0.1μF,10V
C3807		NCFA1AZ-104W	CAPACITOR 0.1μF,10V	C5517		NCFA1AZ-104W	CAPACITOR 0.1μF,10V
C3808		NCFA1AZ-104W	CAPACITOR 0.1μF,10V	C5518		NBE90JM-106X	T CAPACITOR 10μF,6.3V
C3809		NCFA1AZ-104W	CAPACITOR 0.1μF,10V	C5519		NCFA1AZ-104W	CAPACITOR 0.1μF,10V
C4001		NCBA1CK-103W	CAPACITOR 0.01μF,16V	C5520		NCBA1CK-103W	CAPACITOR 0.01μF,16V
C4002		NCBA1CK-103W	CAPACITOR 0.01μF,16V	C5521		NCBA1CK-103W	CAPACITOR 0.01μF,16V
C4003		NBE90JM-106X	T CAPACITOR 10μF,6.3V	C5522		NCBA1CK-103W	CAPACITOR 0.01μF,16V
C4011		NCBA1CK-103W	CAPACITOR 0.01μF,16V	C5523		NCBA1CK-103W	CAPACITOR 0.01μF,16V
C4012		NDCA1HJ-100W	CAPACITOR 10pF,50V	C5524		NCBA1CK-103W	CAPACITOR 0.01μF,16V
C4013		NCBA1CK-103W	CAPACITOR 0.01μF,16V	C5525		NCBA1CK-103W	CAPACITOR 0.01μF,16V
C4015		NCBA1CK-103W	CAPACITOR 0.01μF,16V	C5526		NCBA1CK-103W	CAPACITOR 0.01μF,16V
C4016		NCBA1CK-103W	CAPACITOR 0.01μF,16V	C5527		NCBA1CK-103W	CAPACITOR 0.01μF,16V
C4017		NCFA1AZ-104W	CAPACITOR 0.1μF,10V	C5528		NCBA1CK-103W	CAPACITOR 0.01μF,16V



#	△ REF No.	PART No.	PART NAME, DESCRIPTION	#	△ REF No.	PART No.	PART NAME, DESCRIPTION
C5529		NCBA1CK-103W	CAPACITOR	L3802		NQR0251-002X	FERRATE BEADS
C5530		NCBA1CK-103W	CAPACITOR	L4001		NQR0129-002X	FERRATE BEADS
C5531		NCBA1CK-103W	CAPACITOR	L4002		NQR0129-002X	FERRATE BEADS
C5532		NCBA1CK-103W	CAPACITOR	L4501		NQR0154-001X	FERRITE CORE
C5533		NCBA1CK-103W	CAPACITOR	L4502		NQR0251-001X	FERRATE BEADS
C5534		NCBA1CK-103W	CAPACITOR	L4503		NRSA63J-0R0X	MG RESISTOR 0Ω,1/16W
C5535		NCBA1CK-103W	CAPACITOR	L5001		NQR0154-001X	FERRITE CORE
C5536		NCBA1CK-103W	CAPACITOR	L5003		NQR0129-002X	FERRATE BEADS
C5537		NCBA1CK-103W	CAPACITOR	L5005		NQR0251-001X	FERRATE BEADS
C5538		NCBA1CK-103W	CAPACITOR	L5501		NQR0129-002X	FERRATE BEADS
C5539		NCBA1CK-103W	CAPACITOR	L5502		NQR0129-002X	FERRATE BEADS
C5540		NCBA1CK-103W	CAPACITOR	L5503		NQR0129-002X	FERRATE BEADS
C5541		NCFA1AZ-104W	CAPACITOR	L5504		NQR0129-002X	FERRATE BEADS
C5542		NBE90JM-106X	T CAPACITOR	L5505		NQR0129-002X	FERRATE BEADS
C5543		NCFA1AZ-104W	CAPACITOR	L5506		NQR0129-002X	FERRATE BEADS
C5544		NCFA1AZ-104W	CAPACITOR	L6604		NQL315K-100X	COIL 10μH
C5545		NCFA1AZ-104W	CAPACITOR	X3001		NAX0302-001X	CXO
C5546		NCFA1AZ-104W	CAPACITOR	X3002		NAX0391-001X	CXO
C5547		NCFA1AZ-104W	CAPACITOR	X4002		NAX0390-001X	C OSCILLATOR
C5548		NCFA1AZ-104W	CAPACITOR	X4003		NAX0399-001X	CRYSTAL RESONATOR
C5549		NCFA1AZ-104W	CAPACITOR	X4004		NAX0398-001X	C OSCILLATOR
C5550		NCFA1AZ-104W	CAPACITOR	CN501		QGF0503F2-22X	CONNECTOR,OP UNIT
C5551		NCFA1AZ-104W	CAPACITOR	CN502		QGA1001F1-02X	CONNECTOR,OP UNIT
C5552		NCFA1AZ-104W	CAPACITOR	CN2001		QGF0507F1-28X	CONNECTOR,CCD BOARD CN1001
C5553		NCFA1AZ-104W	CAPACITOR	CN2002		QGB0506L1-20X	B-B CONNECTOR,JIG
C5554		NCFA1AZ-104W	CAPACITOR	CN3001		QGB0509M2-80X	B-B CONNECTOR,MONI/REG
C5555		NCFA1AZ-104W	CAPACITOR	CN3002		QGF0507F1-24X	CONNECTOR,LCD
C5556		NCFA1AZ-104W	CAPACITOR	CN3003		NNZ0033-001	SM CONNECTOR,MEDIA CARD
C5557		NCFA1AZ-104W	CAPACITOR	CN4001		QGF0515F4-12X	CONNECTOR,OPERATION
C5558		NCFA1AZ-104W	CAPACITOR	CN5501		QGF0506F3-38X	CONNECTOR,JACK CN1001
C5559		NCFA1AZ-104W	CAPACITOR	CN6601		QGB0801K2-14X	B-B CONNECTOR,STROBE CN6501
C5560		NCFA1AZ-104W	CAPACITOR				
C5561		NCFA1AZ-104W	CAPACITOR				
C5562		NCFA1AZ-104W	CAPACITOR				
C5563		NCFA1AZ-104W	CAPACITOR				
C5564		NCFA1AZ-104W	CAPACITOR				
C6604		NBE90JM-106X	T CAPACITOR				
C6605		NCF31CZ-473X	CAPACITOR				
C6609		NCF31CZ-473X	CAPACITOR				
C6610		NDC31HJ-221X	CAPACITOR				
C6611		NDC31HJ-221X	CAPACITOR				
C6612		NCB31HK-102X	CAPACITOR				
C6613		NCB31EK-103X	CAPACITOR				
L401		NQL045K-100X	COIL				
L501		NQL045K-100X	COIL				
L502		NQL045K-100X	COIL				
L503		NQL045K-100X	COIL				
L2001		NQL045K-100X	COIL				
L3001		NQR0129-002X	FERRATE BEADS				
L3002		NQR0154-001X	FERRITE CORE				
L3003		NQR0129-002X	FERRATE BEADS				
L3004		NQR0129-002X	FERRATE BEADS				
L3501		NQR0154-001X	FERRITE CORE				
L3502		NQR0129-002X	FERRATE BEADS				
L3503		NQR0154-001X	FERRITE CORE				
L3504		NQR0154-001X	FERRITE CORE				
L3505		NRSA63J-0R0X	MG RESISTOR				0Ω,1/16W
L3506		NQR0251-001X	FERRATE BEADS				
L3507		NQR0251-001X	FERRATE BEADS				
L3701		NQR0129-002X	FERRATE BEADS				
L3801		NQR0251-002X	FERRATE BEADS				
*****							
<b>CCD BOARD ASSEMBLY &lt;02&gt;</b>							
				PW1		YB10283U1-04	CCD BOARD ASSEMBLY
				IC1002		CXD2497R	IC
				IC1003		S-814A33AMC-W	IC
				IC1004		W194-70G-X	IC
				Q1001		2SC4617/QRS/-X	TRANSISTOR
				Q1003		2SC4617/QRS/-X	TRANSISTOR
				D1001		1SS355	DIODE
				R1001		NRSA6AJ-0R0W	MG RESISTOR 0Ω,1/16W
				R1003		NRSA6AJ-472W	MG RESISTOR 4.7kΩ,1/16W
				R1005		NRSA6AJ-102W	MG RESISTOR 1kΩ,1/16W
				R1006		NRSA6AJ-272W	MG RESISTOR 2.7kΩ,1/16W
				R1007		NRSA6AJ-104W	MG RESISTOR 100kΩ,1/16W
				R1008		NRSA6AJ-105W	MG RESISTOR 1MΩ,1/16W
				R1009		NRSA6AJ-270W	MG RESISTOR 27Ω,1/16W
				R1010		NRSA6AJ-100W	MG RESISTOR 10Ω,1/16W
				R1011		NRSA6AJ-100W	MG RESISTOR 10Ω,1/16W
				R1020		NRSA6AJ-102W	MG RESISTOR 1kΩ,1/16W
				R1023		NRSA6AJ-0R0W	MG RESISTOR 0Ω,1/16W
				R1025		NRSA6AJ-0R0W	MG RESISTOR 0Ω,1/16W
				R1026		NRSA6AJ-0R0W	MG RESISTOR 0Ω,1/16W
				R1028		NRSA6AJ-103W	MG RESISTOR 10kΩ,1/16W
				R1030		NRSA6AJ-0R0W	MG RESISTOR 0Ω,1/16W

#	△ REF No.	PART No.	PART NAME, DESCRIPTION	
R1033		NRSA6AJ-220W	MG RESISTOR	22Ω,1/16W
R1034		NRSA6AJ-0R0W	MG RESISTOR	0Ω,1/16W
R1037		NRSA6AJ-0R0W	MG RESISTOR	0Ω,1/16W
R1038		NRSA6AJ-0R0W	MG RESISTOR	0Ω,1/16W
C1001		NBP41CM-106X	T CAPACITOR	10μF,16V
C1002		NCFA1AZ-104W	CAPACITOR	0.1μF,10V
C1003		NBP41VM-225X	T CAPACITOR	2.2μF,35V
C1004		NCFA1AZ-104W	CAPACITOR	0.1μF,10V
C1005		NBM90JM-106X	T CAPACITOR	10μF,6.3V
C1006		NCFA1AZ-104W	CAPACITOR	0.1μF,10V
C1007		NCFA1AZ-104W	CAPACITOR	0.1μF,10V
C1008		NBP41VM-225X	T CAPACITOR	2.2μF,35V
C1009		NCFA1AZ-104W	CAPACITOR	0.1μF,10V
C1010		NCB31HK-222X	CAPACITOR	0.0022μF,50V
C1011		NCFA1AZ-104W	CAPACITOR	0.1μF,10V
C1012		NCFA1AZ-104W	CAPACITOR	0.1μF,10V
C1013		NCFA1AZ-104W	CAPACITOR	0.1μF,10V
C1014		NCFA1AZ-104W	CAPACITOR	0.1μF,10V
C1015		NCFA1AZ-104W	CAPACITOR	0.1μF,10V
C1016		NCFA1AZ-104W	CAPACITOR	0.1μF,10V
C1017		NCFA1AZ-104W	CAPACITOR	0.1μF,10V
C1018		NCFA1AZ-104W	CAPACITOR	0.1μF,10V
C1019		NBP21EM-105X	T CAPACITOR	1μF,25V
C1020		NCFA1AZ-104W	CAPACITOR	0.1μF,10V
C1021		NBM90JM-106X	T CAPACITOR	10μF,6.3V
C1022		NBP41CM-106X	T CAPACITOR	10μF,16V
C1024		NCFA1AZ-104W	CAPACITOR	0.1μF,10V
C1027		NCFA1AZ-104W	CAPACITOR	0.1μF,10V
C1028		NBE90JM-106X	T CAPACITOR	10μF,6.3V
C1029		NCFA1AZ-104W	CAPACITOR	0.1μF,10V
L1001		NQR0129-002X	FERRITE BEADS	
L1002		NQL045K-100X	COIL	10μH
L1003		NQR0129-002X	FERRITE BEADS	
L1004		NQL045K-100X	COIL	10μH
L1005		NQR0129-002X	FERRITE BEADS	
L1006		NQL045K-100X	COIL	10μH
L1008		NQL045K-100X	COIL	10μH
L1009		NQR0129-002X	FERRITE BEADS	
CN1001		QGF0507F1-28X	CONNECTOR,MAIN CN1001	

#	△ REF No.	PART No.	PART NAME, DESCRIPTION	
Q9003		RN1104FT	TRANSISTOR	
Q9004		2SK1830	MOS FET	
Q9005		CPH3303	MOS FET	
Q9006		RN1104FT	TRANSISTOR	
Q9007		CPH3116	TRANSISTOR	
Q9201		CPH3303	MOS FET	
Q9205		HN1A01FU/G/-X	PAIR TRANSISTOR	
Q9206		2SC4617/QR/-X	TRANSISTOR	
Q9207		CPH6301	MOS FET	
Q9208		CPH6401	MOS FET	
Q9301		CPH6303	MOS FET	
Q9302		CPH6401	MOS FET	
Q9303		CPH6303	MOS FET	
Q9304		2SA1774/QR/-X	TRANSISTOR	
Q9305		2SC4617/QR/-X	TRANSISTOR	
Q9306		CPH6401	MOS FET	
Q9307		RN1104FT	TRANSISTOR	
Q9402		CPH6301	MOS FET	
Q9404		CPH3303	MOS FET	
D7301		UDZ2.7B	ZENER DIODE	
D7302		MA365	VARI CAP DIODE	
D9001		CRS06	SB DIODE	
D9201		1SS357	SB DIODE	
D9202		SBE002	SB DIODE	
D9203		1SS357	SB DIODE	
D9204		1SS357	SB DIODE	
D9205		CRS06	SB DIODE	
D9301		CRS06	SB DIODE	
D9302		1SS355	DIODE	
D9303		1SS355	DIODE	
D9306		CRS06	SB DIODE	
D9401		CRS06	SB DIODE	
D9404		SBS006	SB DIODE	
R7202		NRVA6AD-911W	CMF RESISTOR	910Ω,1/16W
R7203		NRVA6AD-183W	CMF RESISTOR	18kΩ,1/16W
R7204		NRVA6AD-222W	CMF RESISTOR	2.2kΩ,1/16W
R7205		NRSA6AJ-0R0W	MG RESISTOR	0Ω,1/16W
R7206		NRSA6AJ-0R0W	MG RESISTOR	0Ω,1/16W
R7301		NRSA6AJ-102W	MG RESISTOR	1kΩ,1/16W
R7302		NRVA6AD-333W	CMF RESISTOR	33kΩ,1/16W
R7303		NRSA6AJ-0R0W	MG RESISTOR	0Ω,1/16W
R7304		NRSA6AJ-0R0W	MG RESISTOR	0Ω,1/16W
R7305		NRSA6AJ-0R0W	MG RESISTOR	0Ω,1/16W
R7306		NRVA6AD-153W	CMF RESISTOR	15kΩ,1/16W
R7307		NRVA6AD-183W	CMF RESISTOR	18kΩ,1/16W
R7308		NRVA6AD-223W	CMF RESISTOR	22kΩ,1/16W
R7309		NRSA6AJ-100W	MG RESISTOR	10Ω,1/16W
R7310		NRSA6AJ-100W	MG RESISTOR	10Ω,1/16W
R7311		NRSA6AJ-100W	MG RESISTOR	10Ω,1/16W
R7312		NRSA6AJ-100W	MG RESISTOR	10Ω,1/16W
R7313		NRSA6AJ-271W	MG RESISTOR	270Ω,1/16W
R7315		NRSA6AJ-0R0W	MG RESISTOR	0Ω,1/16W
R7316		NRSA6AJ-0R0W	MG RESISTOR	0Ω,1/16W
R7318		NRSA6AJ-223W	MG RESISTOR	22kΩ,1/16W
R7319		NRSA6AJ-223W	MG RESISTOR	22kΩ,1/16W
R7321		NRSA6AJ-103W	MG RESISTOR	10kΩ,1/16W
R7322		NRSA6AJ-102W	MG RESISTOR	1kΩ,1/16W
R7323		NRSA6AJ-103W	MG RESISTOR	10kΩ,1/16W
R7324		NRVA6AD-331W	CMF RESISTOR	330Ω,1/16W
R7325		NRSA6AJ-333W	MG RESISTOR	33kΩ,1/16W
R7327		NRSA6AJ-0R0W	MG RESISTOR	0Ω,1/16W

\*\*\*\*\*

**MONI REG BOARD ASSEMBLY <03>**

OT1	LY42505-001A	SEELD SHEET(REG)
PW4	YB10283U4-04	MONI REG BOARD ASSEMBLY
IC7202	TK11900M	IC
IC7301	TA75S01F	IC
IC7302	CXA3268AR-B	IC
IC9001	S-80824ANNP-W	IC
IC9002	SB2020P-332A-W	IC
IC9101	FA3676F	IC
Q7301	DTC144EE	TRANSISTOR
Q7302	2SA1774/QR/-X	TRANSISTOR
Q7303	2SA1577/QR/-X	TRANSISTOR
Q7304	UMZ1N	PAIR TRANSISTOR
Q7305	UMZ1N	PAIR TRANSISTOR
Q9002	2SK1830	MOS FET

#	△	REF No.	PART No.	PART NAME, DESCRIPTION	#	△	REF No.	PART No.	PART NAME, DESCRIPTION
R7329			NRSA6AJ-0R0W	MG RESISTOR	R9401			NRSA6AJ-4R7W	MG RESISTOR
R7330			NRSA6AJ-103W	MG RESISTOR	R9402			NRVA6AD-223W	CMF RESISTOR
R7331			NRSA6AJ-472W	MG RESISTOR	R9403			NRVA6AD-103W	CMF RESISTOR
R7332			NRVA6AD-512W	CMF RESISTOR	R9405			NRSA6AJ-4R7W	MG RESISTOR
R7333			NRVA6AD-243W	CMF RESISTOR	R9408			NRSA6AJ-4R7W	MG RESISTOR
R7335			NRSA6AJ-472W	MG RESISTOR	R9409			NRVA6AD-203W	CMF RESISTOR
R7340			NRSA6AJ-274W	MG RESISTOR	R9410			NRVA6AD-103W	CMF RESISTOR
R7341			NRSA6AJ-104W	MG RESISTOR	C7203			NCB11CK-105X	CAPACITOR
R7342			NRSA6AJ-104W	MG RESISTOR	C7204			NCBA1CK-103W	CAPACITOR
R7345			NRSA6AJ-224W	MG RESISTOR	C7205			NBP41DM-106X	T CAPACITOR
R7346			NRSA6AJ-682W	MG RESISTOR	C7208			NBE20JM-106X	T CAPACITOR
R7347			NRSA6AJ-0R0W	MG RESISTOR	C7301			NBE20JM-106X	T CAPACITOR
R7348			NRSA6AJ-0R0W	MG RESISTOR	C7302			NBE20JM-226X	T CAPACITOR
R7350			NRSA6AJ-103W	MG RESISTOR	C7303			NCBA1AK-104W	CAPACITOR
R7358			NRSA6AJ-0R0W	MG RESISTOR	C7304			NCBA1CK-103W	CAPACITOR
R7359			NRSA63J-0R0X	MG RESISTOR	C7305			NCBA1CK-103W	CAPACITOR
R7361			NRSA6AJ-0R0W	MG RESISTOR	C7306			NCB21AK-105X	CAPACITOR
R7362			NRSA6AJ-0R0W	MG RESISTOR	C7307			NCB21AK-105X	CAPACITOR
R9001			NRVA6AD-302W	CMF RESISTOR	C7308			NCB21AK-105X	CAPACITOR
R9005			NRSA6AJ-104W	MG RESISTOR	C7309			NBP41CM-106X	T CAPACITOR
R9006			NRSA6AJ-104W	MG RESISTOR	C7310			NBP41DM-106X	T CAPACITOR
R9007			NRSA6AJ-104W	MG RESISTOR	C7311			NCB31CK-104X	CAPACITOR
R9009			NRSA6AJ-104W	MG RESISTOR	C7312			NCB21AK-105X	CAPACITOR
R9010			NRSA6AJ-102W	MG RESISTOR	C7313			NBP41DM-106X	T CAPACITOR
R9011			NRSA6AJ-473W	MG RESISTOR	C7314			NCB31CK-104X	CAPACITOR
R9012			NRSA6AJ-0R0W	MG RESISTOR	C7315			NBE20JM-226X	T CAPACITOR
R9103			NRSA6AJ-104W	MG RESISTOR	C7316			NCBA1AK-104W	CAPACITOR
R9104			NRSA6AJ-753W	MG RESISTOR	C7317			NCB30JK-105X	CAPACITOR
R9105			NRSA6AJ-0R0W	MG RESISTOR	C7318			NCBA1AK-104W	CAPACITOR
R9107			NRSA6AJ-104W	MG RESISTOR	C7319			NCBA1AK-104W	CAPACITOR
R9108			NRSA6AJ-223W	MG RESISTOR	C7320			NCBA1AK-104W	CAPACITOR
R9109			NRSA6AJ-223W	MG RESISTOR	C7321			NDC31HJ-300X	CAPACITOR
R9110			NRVA6AD-153W	CMF RESISTOR	C7322			NCB31HK-102X	CAPACITOR
R9111			NRVA6AD-472W	CMF RESISTOR	C7323			NCBA1CK-103W	CAPACITOR
R9202			NRSA6AJ-4R7W	MG RESISTOR	C7324			NCBA1EK-682W	CAPACITOR
R9204			NRVA6AD-272W	CMF RESISTOR	C7325			NBP21CM-335X	T CAPACITOR
R9205			NRVA6AD-392W	CMF RESISTOR	C7330			NBE20JM-226X	T CAPACITOR
R9206			NRVA6AD-683W	CMF RESISTOR	C7331			NCBA1AK-104W	CAPACITOR
R9207			NRSA6AJ-274W	MG RESISTOR	C7332			NCB21AK-105X	CAPACITOR
R9210			NRVA6AD-683W	CMF RESISTOR	C7335			NBE21AM-106X	T CAPACITOR
R9212			NRVA6AD-683W	CMF RESISTOR	C7336			NCB31CK-104X	CAPACITOR
R9213			NRSA6AJ-333W	MG RESISTOR	C7337			NCB21AK-105X	CAPACITOR
R9214			NRSA6AJ-333W	MG RESISTOR	C7338			NCB11CK-105X	CAPACITOR
R9215			NRSA6AJ-0R0W	MG RESISTOR	C7339			NCB31CK-104X	CAPACITOR
R9216			NRSA6AJ-4R7W	MG RESISTOR	C7345			NBP41DM-106X	T CAPACITOR
R9217			NRSA6AJ-4R7W	MG RESISTOR	C9002			NCB31EK-103X	CAPACITOR
R9218			NRVA6AD-153W	CMF RESISTOR	C9003			NCB31CK-104X	CAPACITOR
R9219			NRVA6AD-103W	CMF RESISTOR	C9004			NBE41AM-476X	T CAPACITOR
R9301			NRSA6AJ-105W	MG RESISTOR	C9005			NCBA1HK-222W	CAPACITOR
R9302			NRSA6AJ-472W	MG RESISTOR	C9006			NBE41AM-476X	T CAPACITOR
R9303			NRSA6AJ-473W	MG RESISTOR	C9007			NCB21CK-105X	CAPACITOR
R9304			NRSA6AJ-185W	MG RESISTOR	C9008			NBE90JM-106X	T CAPACITOR
R9305			NRVA6AD-623W	CMF RESISTOR	C9101			NCB21CK-105X	CAPACITOR
R9306			NRVA6AD-123W	CMF RESISTOR	C9102			NBE41AM-476X	T CAPACITOR
R9308			NRSA6AJ-473W	MG RESISTOR	C9103			NCB21CK-105X	CAPACITOR
R9309			NRSA6AJ-473W	MG RESISTOR	C9104			NBE41AM-106X	T CAPACITOR
R9310			NRSA6AJ-4R7W	MG RESISTOR	C9105			NCB21CK-105X	CAPACITOR
R9311			NRVA6AD-393W	CMF RESISTOR	C9107			NCB21CK-105X	CAPACITOR
R9312			NRVA6AD-103W	CMF RESISTOR	C9108			NCB31EK-103X	CAPACITOR
R9315			NRSA6AJ-4R7W	MG RESISTOR	C9109			NCB21CK-105X	CAPACITOR
R9316			NRSA6AJ-473W	MG RESISTOR	C9110			NCB21CK-105X	CAPACITOR
									4.7Ω,1/16W
									22kΩ,1/16W
									10kΩ,1/16W
									4.7Ω,1/16W
									4.7Ω,1/16W
									20kΩ,1/16W
									10kΩ,1/16W
									1μF,16V
									0.01μF,16V
									10μF,20V
									10μF,6.3V
									10μF,6.3V
									22μF,6.3V
									0.1μF,10V
									0.01μF,16V
									1μF,10V
									1μF,10V
									1μF,10V
									10μF,16V
									10μF,20V
									0.1μF,16V
									1μF,10V
									1μF,10V
									10μF,20V
									0.1μF,16V
									22μF,6.3V
									0.1μF,10V
									1μF,6.3V
									0.1μF,10V
									0.1μF,10V
									0.1μF,10V
									30pF,50V
									0.001μF,50V
									0.01μF,16V
									0.0068μF,25V
									3.3μF,16V
									22μF,6.3V
									0.1μF,10V
									1μF,10V
									10μF,10V
									0.1μF,16V
									1μF,10V
									1μF,16V
									0.1μF,16V
									47μF,10V
									0.0022μF,50V
									47μF,10V
									1μF,16V
									10μF,6.3V
									1μF,16V
									47μF,10V
									1μF,16V
									10μF,10V
									1μF,16V
									1μF,16V
									0.01μF,25V
									1μF,16V

#	△ REF No.	PART No.	PART NAME, DESCRIPTION	
C9111		NCB31EK-473X	CAPACITOR	0.047μF,25V
C9112		NCB31CK-104X	CAPACITOR	0.1μF,16V
C9113		NCB31CK-104X	CAPACITOR	0.1μF,16V
C9114		NCB21CK-105X	CAPACITOR	1μF,16V
C9115		NCB21CK-105X	CAPACITOR	1μF,16V
C9116		NDCA1HJ-101W	CAPACITOR	100pF,50V
C9117		NCBA1HK-332W	CAPACITOR	0.0033μF,50V
C9119		NCBA1EK-682W	CAPACITOR	0.0068μF,25V
C9120		NCBA1EK-682W	CAPACITOR	0.0068μF,25V
C9121		NCB31EK-103X	CAPACITOR	0.01μF,25V
C9122		NCBA1EK-682W	CAPACITOR	0.0068μF,25V
C9123		NCBA1EK-682W	CAPACITOR	0.0068μF,25V
C9201		NCB21CK-105X	CAPACITOR	1μF,16V
C9202		NCB21CK-105X	CAPACITOR	1μF,16V
C9203		NCB21CK-105X	CAPACITOR	1μF,16V
C9204		NCBA1HK-152W	CAPACITOR	0.0015μF,50V
C9205		NCB21CK-105X	CAPACITOR	1μF,16V
C9208		NCB11EK-105X	CAPACITOR	1μF,25V
C9209		NCB21CK-105X	CAPACITOR	1μF,16V
C9210		NCB21CK-105X	CAPACITOR	1μF,16V
C9211		NCB21CK-105X	CAPACITOR	1μF,16V
C9213		NCB21CK-105X	CAPACITOR	1μF,16V
C9214		NCB10JK-106X	CAPACITOR	10μF,6.3V
C9215		NCBA1HK-222W	CAPACITOR	0.0022μF,50V
C9216		NCB11CK-475X	CAPACITOR	4.7μF,16V
C9301		NCB21CK-105X	CAPACITOR	1μF,16V
C9302		NDCA1HJ-330W	CAPACITOR	33pF,50V
C9303		NDCA1HJ-330W	CAPACITOR	33pF,50V
C9304		NCB11AK-475X	CAPACITOR	4.7μF,10V
C9305		NCBA1EK-472W	CAPACITOR	0.0047μF,25V
C9307		NCB21CK-105X	CAPACITOR	1μF,16V
C9308		NBE41AM-476X	T CAPACITOR	47μF,10V
C9309		NBE41AM-476X	T CAPACITOR	47μF,10V
C9310		NCB21CK-105X	CAPACITOR	1μF,16V
C9311		NCB10JK-106X	CAPACITOR	10μF,6.3V
C9312		NCBA1HK-102W	CAPACITOR	0.001μF,50V
C9314		NCB11AK-225X-A	CAPACITOR	2.2μF,10V
C9316		NBE41AM-476X	T CAPACITOR	47μF,10V
C9401		NCB21CK-105X	CAPACITOR	1μF,16V
C9402		NCB11AK-475X	CAPACITOR	4.7μF,10V
C9403		NCB10JK-106X	CAPACITOR	10μF,6.3V
C9404		NCBA1HK-102W	CAPACITOR	0.001μF,50V
C9406		NCB21CK-105X	CAPACITOR	1μF,16V
C9409		NCB21CK-105X	CAPACITOR	1μF,16V
C9410		NCB11AK-225X-A	CAPACITOR	2.2μF,10V
C9411		NCB11AK-335X	CAPACITOR	3.3μF,10V
C9412		NCBA1HK-332W	CAPACITOR	0.0033μF,50V
C9414		NCB21CK-105X	CAPACITOR	1μF,16V
C9416		NBE41AM-476X	T CAPACITOR	47μF,10V
L7203		NQL144K-100X	COIL	10μH
L7204		NQL144K-100X	COIL	10μH
L7301		NQL085J-3R3X	COIL	3.3μH
L7302		NQL144K-220X	COIL	22μH
L9001		NQLZ011-470X	COIL	47μH
L9101		NQL48CM-100X	COIL	10μH
L9102		NQL48CM-4R7X	COIL	4.7μH
L9103		NQL48CM-100X	COIL	10μH
L9201		NQL32CM-101X	COIL	100μH
L9202		NQL044K-470X	COIL	47μH
L9204		NQL32CM-100X	COIL	10μH
L9301		NQL49CM-390X	COIL	39μH

#	△ REF No.	PART No.	PART NAME, DESCRIPTION	
L9302		NQL32CM-100X	COIL	10μH
L9303		NQL49CM-100X	COIL	10μH
L9304		NQL32CM-100X	COIL	10μH
L9401		NQL48CM-150X	COIL	15μH
L9402		NQL49CM-220X	COIL	22μH
L9403		NQL32CM-100X	COIL	10μH
L9404		NQL49CM-101X	COIL	100μH
L9405		NQL49CM-101X	COIL	100μH
L9406		NQL32CM-100X	COIL	10μH
J9001		QUB220-09A3A3	WIRE,JACK TP2	
J9002		QUB222-09A3A3	WIRE,JACK TP1	
CN9001		QGB0509L1-80X	B-B CONNECTOR,MAIN CN3001	
△ F9001		NMFZ006-R50X-K	FUSE	0.5A
△ F9101		NMFZ006-1R6X-K	FUSE	1.6A
△ F9102		NMFZ006-2R0X-K	FUSE	2.0A
△ F9103		NMFZ006-1R6X-K	FUSE	1.6A
F9201		NRSA63J-0R0X	MG RESISTOR	0Ω,1/16W

\*\*\*\*\*

**JACK BOARD ASSEMBLY <04>**

OT1	LY42537-001A	SHIELD SHEET	
△ BT101	QAB0020-001	LITHIUM BATTERY	
PW2	YB10283U2-04	JACK BOARD ASSEMBLY	
IC101	NJM2538V	IC	
IC102	TC7WH34FK	IC	
Q7101	2SC3647/ST/-X	POW TRANSISTOR	
Q7102	2SC3647/ST/-X	POW TRANSISTOR	
Q7103	DTA144EE	TRANSISTOR	
Q7104	2SC4617/QR/-X	TRANSISTOR	
Q7105	2SC4617/QR/-X	TRANSISTOR	
Q7106	2SC4617/QR/-X	TRANSISTOR	
D101	DTZ6.8	ZENER DIODE	
D102	MA728	DIODE	
	or RB501V-40-X	SB DIODE	
R101	NRSA63J-0R0X	MG RESISTOR	0Ω,1/16W
R102	NCB31CK-104X	CAPACITOR	0.1μF,16V
R103	NRSA6AJ-0R0W	MG RESISTOR	0Ω,1/16W
R104	NRSA63J-0R0X	MG RESISTOR	0Ω,1/16W
R106	NRSA63J-121X	MG RESISTOR	120Ω,1/16W
R107	NRSA63J-750X	MG RESISTOR	75Ω,1/16W
R109	NRSA63J-0R0X	MG RESISTOR	0Ω,1/16W
R111	NRSA63J-0R0X	MG RESISTOR	0Ω,1/16W
R112	NRSA6AJ-822W	MG RESISTOR	8.2kΩ,1/16W
R113	NRSA6AJ-103W	MG RESISTOR	10kΩ,1/16W
R116	NRSA63J-0R0X	MG RESISTOR	0Ω,1/16W
R119	NRSA6AJ-0R0W	MG RESISTOR	0Ω,1/16W
R120	NRSA6AJ-0R0W	MG RESISTOR	0Ω,1/16W
R123	NRSA63J-0R0X	MG RESISTOR	0Ω,1/16W
R129	NRSA6AJ-105W	MG RESISTOR	1MΩ,1/16W
R7103	NRSA6AJ-562W	MG RESISTOR	5.6kΩ,1/16W
R7104	NRSA6AJ-563W	MG RESISTOR	56kΩ,1/16W
R7105	NRSA6AJ-223W	MG RESISTOR	22kΩ,1/16W
R7106	NRSA6AJ-473W	MG RESISTOR	47kΩ,1/16W
R7107	NRSA6AJ-473W	MG RESISTOR	47kΩ,1/16W
R7108	NRSA6AJ-223W	MG RESISTOR	22kΩ,1/16W
R7109	NRSA6AJ-103W	MG RESISTOR	10kΩ,1/16W
R7110	NRSA6AJ-563W	MG RESISTOR	56kΩ,1/16W

#	△ REF No.	PART No.	PART NAME, DESCRIPTION	#	△ REF No.	PART No.	PART NAME, DESCRIPTION	
R7111		NRSA63J-0R0X	MG RESISTOR	0Ω,1/16W	R6503	NRSA63J-103X	MG RESISTOR	10kΩ,1/16W
C101		NCFA1AZ-104W	CAPACITOR	0.1μF,10V	R6504	NRSA63J-471X	MG RESISTOR	470Ω,1/16W
C102		NBE40JM-106X	T CAPACITOR	10μF,6.3V	R6505	NRSA63J-222X	MG RESISTOR	2.2kΩ,1/16W
C103		NCFA1AZ-104W	CAPACITOR	0.1μF,10V	R6506	NRSA63J-152X	MG RESISTOR	1.5kΩ,1/16W
C104		NBE90JM-106X	T CAPACITOR	10μF,6.3V	R6507	NRSA02J-106X	MG RESISTOR	10MΩ,1/10W
C105		NCFA1AZ-104W	CAPACITOR	0.1μF,10V	R6508	NRVA63D-184X	CMF RESISTOR	180kΩ,1/16W
C106		NCBA1CK-103W	CAPACITOR	0.01μF,16V	R6511	NRSA63J-473X	MG RESISTOR	47kΩ,1/16W
C107		NCBA1CK-103W	CAPACITOR	0.01μF,16V	R6514	NRSA02J-105X	MG RESISTOR	1MΩ,1/10W
C109		NCFA1AZ-104W	CAPACITOR	0.1μF,10V	R6515	NRS181J-220X	MG RESISTOR	22Ω,1/8W
C111		NBE60GM-337X	T CAPACITOR	330μF,4.0V	R6516	NRSA02J-104X	MG RESISTOR	100kΩ,1/10W
C114		NCBA1CK-103W	CAPACITOR	0.01μF,16V	R6519	NRSA02J-106X	MG RESISTOR	10MΩ,1/10W
C115		NCBA1CK-103W	CAPACITOR	0.01μF,16V	R6520	NRSA63J-330X	MG RESISTOR	33Ω,1/16W
C116		NBE90JM-106X	T CAPACITOR	10μF,6.3V	R6521	NRSA02J-0R0X	MG RESISTOR	0Ω,1/10W
C117		NCFA1AZ-104W	CAPACITOR	0.1μF,10V	R6527	NRSA63J-391X	MG RESISTOR	390Ω,1/16W
C122		NCFA1AZ-104W	CAPACITOR	0.1μF,10V	R6528	NRSA63J-391X	MG RESISTOR	390Ω,1/16W
C123		NBM90JM-106X	T CAPACITOR	10μF,6.3V	R6529	NRSA63J-473X	MG RESISTOR	47kΩ,1/16W
C7101		NCZ1011-220X	CAPACITOR	22pF	C6501	NBE41AM-336X	T CAPACITOR	33μF,10V
C7102		NCZ1021-270X	CAPACITOR	27pF	C6502	NBE41AM-226X	T CAPACITOR	22μF,10V
C7103		NFV41HJ-273X	MPPS CAPACITOR	0.027μF,50V	C6503	NCB31EK-103X	CAPACITOR	0.01μF,25V
C7105		NBE41AM-476X	T CAPACITOR	47μF,10V	C6506	NCZ1008-333X	CAPACITOR	0.033μF
C7106		NCBA1CK-103W	CAPACITOR	0.01μF,16V	C6507	NCZ1019-273X	CAPACITOR	0.027μF
C7107		NDC31HJ-151X	CAPACITOR	150pF,50V	C6508	NCB31EK-103X	CAPACITOR	0.01μF,25V
C7108		NCB11CK-105X	CAPACITOR	1μF,16V	C6512	QEZ0504-137	E CAPACITOR	130μF
C7109		NCB31CK-104X	CAPACITOR	0.1μF,16V	C6515	NCZ1019-273X	CAPACITOR	0.027μF
L101		NQL302N-100X	COIL	10μH	L6501	NQS0047-001	SW TRANSF	
L102		NQL302N-100X	COIL	10μH	L6502	NQL302N-100X	COIL	10μH
L107		NRSA63J-0R0X	MG RESISTOR	0Ω,1/16W	L6503	NQL044K-470X	COIL	47μH
L7101		NQLZ010-680X	COIL	68μH	CN6501	QGB0801L1-14X	B-B CONNECTOR,MAIN CN6601	
L7102		NQLZ010-220X	COIL	22μH				
T7101		NQS0046-001X	SW TRANSF					
J101		QNS0078-001	3.5 JACK,VIDEO OUT					
J102		NNZ0032-001X	USB CONNECTOR					
J103		QNA0001-001	DC JACK					
J104		NNZ0038-001X	D CONNECTOR					
CN101		QGF0506F1-38X	CONNECTOR,MAIN CN5501					
CN7101		QGZ4501F1-02W	CONNECTOR,BL					
△ F7101		NMFZ006-R40X-K	FUSE	0.4A				

\*\*\*\*\*

**STROBE FLASH BOARD ASSEMBLY <05>**

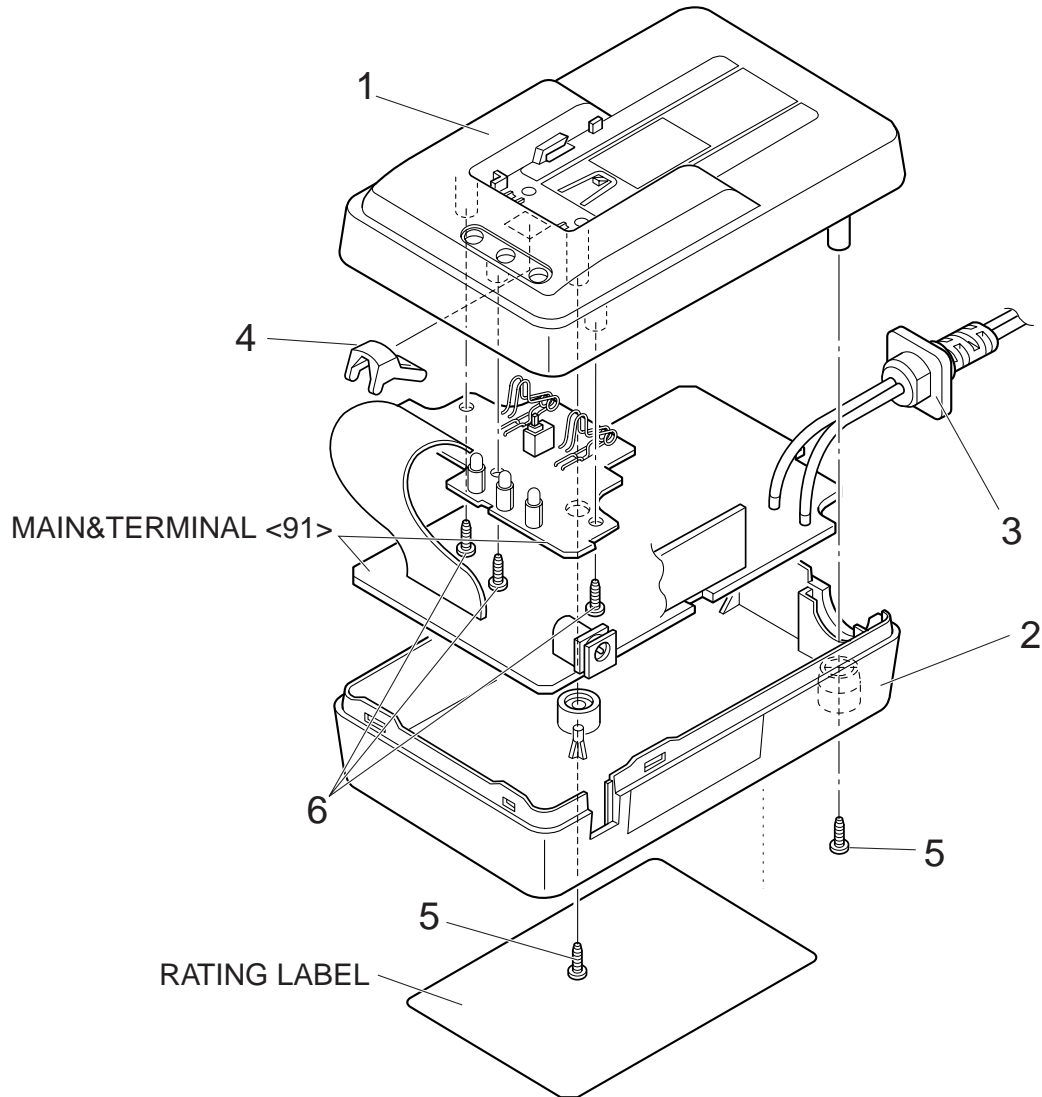
STR1	LY31453-001A	STROBE UNIT	
PW3	YB10283U3-04	STROBE FLASH BOARD ASSEMBLY	
IC6502	TC7SET08FU	IC(DIGITAL)	
Q6501	2SB1462J/RS/-X	TRANSISTOR	
Q6502	UN9211J	TRANSISTOR	
Q6503	2SB1124/ST/-X	TRANSISTOR	
Q6504	2SD1628/FG/-X	TRANSISTOR	
Q6506	CT25ASJ-8-X	POW TRANSISTOR	
Q6507	UMC3N	TRANSISTOR	
D6501	F1F16	DIODE	
D6502	DA121	DIODE	
D6503	F1SN4	DIODE	
D6504	F1N4	DIODE	
D6505	SLR-342VR3F	LE DIODE	
R6501	NRSA63J-5R6X	MG RESISTOR	5.6Ω,1/16W
R6502	NRSA63J-4R7X	MG RESISTOR	4.7Ω,1/16W

# SECTION 5 AC POWER ADAPTER (AA-V37U)

## SAFETY PRECAUTION

Parts identified by the ⚠ symbol are critical for safety. Replace only with specified part numbers.

### 5.1 CABINET ASSEMBLY <MA>



#	⚠ REF No.	PART No.	PART NAME, DESCRIPTION
*****			

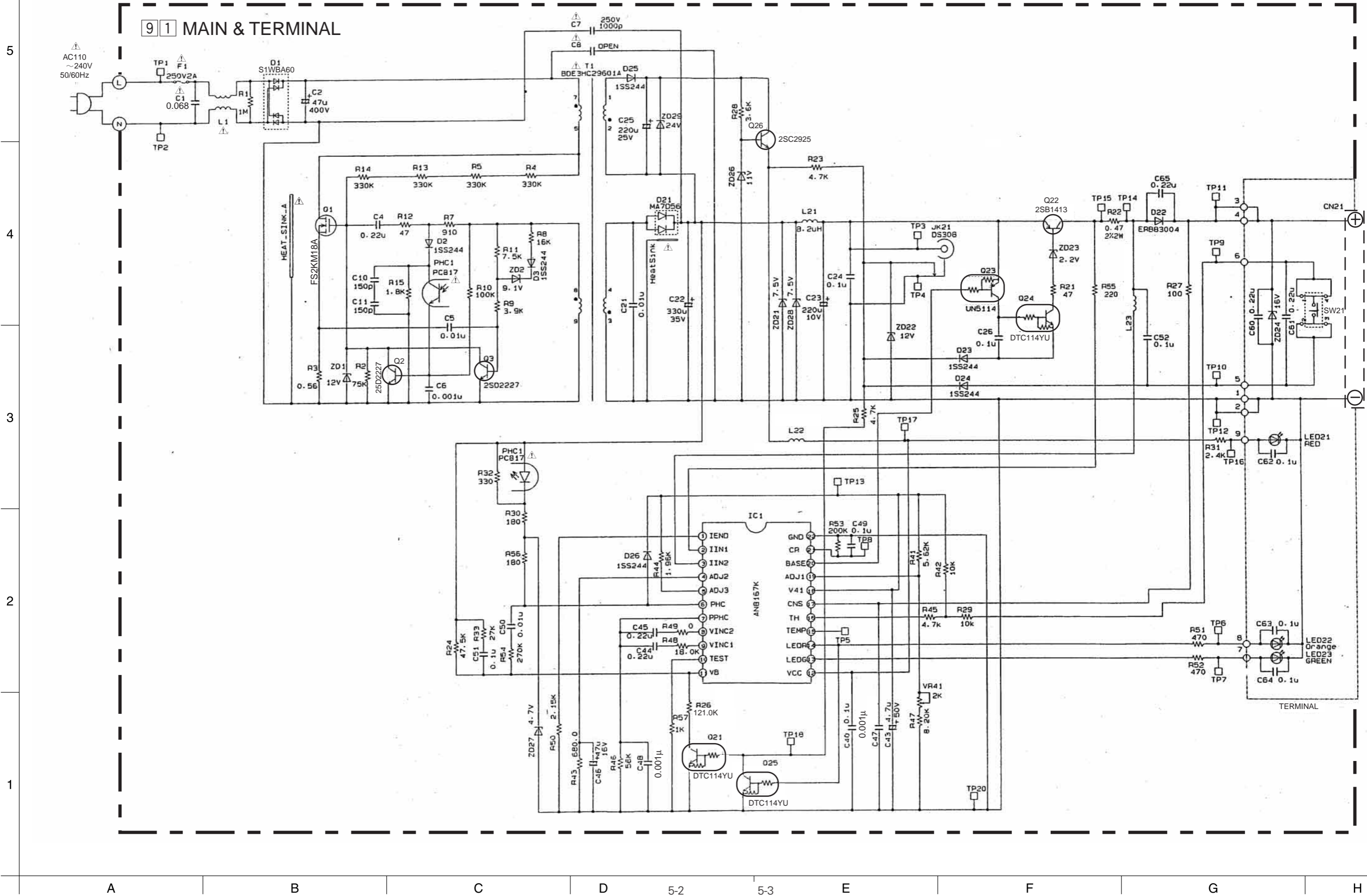
### CABINET ASSEMBLY <MA>

⚠ 1	PTY20545-012	UPPER CASE ASSY
⚠ 2	PTY20483-021	LOWER CASE
⚠ 3	PTY20290-040	POWER CORD
4	PTY20545-054	SWITCH COVER
5	YQ10531-011	TAP SCREW, x2
6	PTY20545-055	TAP SCREW, x3

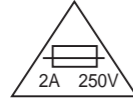
5.2 SCHEMATIC DIAGRAM

NOTE: When ordering parts, be sure to order according to the Part Number indicated in the Parts List.

**Safety precautions**  
The components identified by the symbol  are critical for safety. For continued safety, replace safety critical components only with manufacturer's recommended parts.

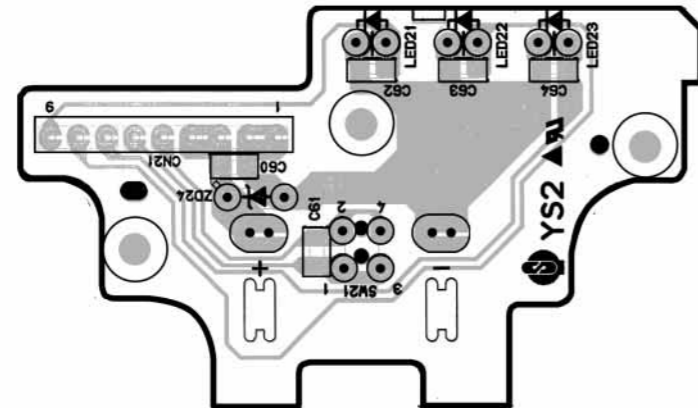
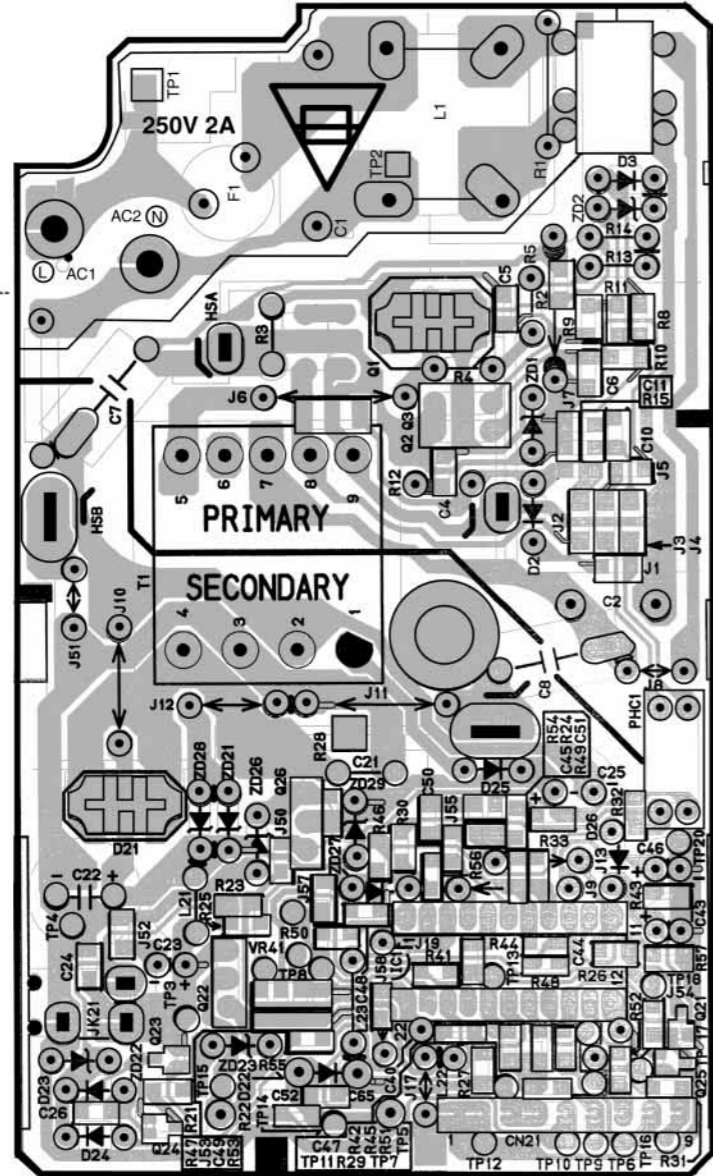


5.3 CIRCUIT BOARD



CAUTION:  
FOR CONTINUED PROTECTION AGAINST  
FIRE HAZARD, REPLACE ONLY WITH SAME  
TYPE AND RATED FUSE.

ATTENTION:  
POUR UNE PROTECTION PERMANENTE  
CONTRE LES RISQUE D'INCENDE,  
REPLACER LE FUSIBLE PAR UN AUTRE  
DE MEME TYPE ET DE MEME TENSION.



5.4 ELECTRICAL PARTS LIST

#	REF No.	PART No.	PART NAME, DESCRIPTION
*****			
<b>MAIN &amp; TERMINAL BOARD ASSEMBLY &lt;91&gt;</b>			
PW1	PTY20545-502		MAIN&TERMINAL BOARD ASSY
IC1	AN8167K		CHARGER IC
Q1	FS2KM18A		MOS FET
Q2	2SD2227		TRANSISTOR
Q3	2SD2227		TRANSISTOR
Q21	DTC114YU-X		TRANSISTOR
Q22	2SB1434		TRANSISTOR
Q23	UN5114TX		TRANSISTOR
Q24	DTC114YU-X		TRANSISTOR
Q25	DTC114YU-X		TRANSISTOR
Q26	2SC2925TTA		TRANSISTOR
D1	S1WBA60		B DIODE 600V 1A
D2	1SS244T77		DIODE 200V 6A
D3	1SS244T77		DIODE 200V 6A
D21	MA7D56		DIODE 60V 10A
D22	ERB83004V1		DIODE 40V 1.7A
D23	1SS244T77		DIODE 200V 6A
D24	1SS244T77		DIODE 200V 6A
D25	1SS244T77		DIODE 200V 6A
D26	1SS244T77		DIODE 200V 6A
ZD1	MTZJ12C-T2		ZENER DIODE 12V 500mW
ZD2	MTZJ9.1B		ZENER DIODE 9.1V500mW
ZD21	MTZJ7.5B-T2		ZENER DIODE 7.5V500mW
ZD22	MTZJ12C-T2		ZENER DIODE 12V 500mW
ZD23	MTZJ2.2A-T2		ZENER DIODE 2.2V 500mW
ZD24	MTZJ16T-77		ZENER DIODE 16V 500mW
ZD26	MTZJ11A-T2		ZENER DIODE 11V 500mW
ZD27	MA4047N/M/T2		ZENER DIODE 4.7V 0.37W
ZD28	MTZJ7.5B-T2		ZENER DIODE 7.5V 500mW
ZD29	MTZJ24C-T2		ZENER DIODE 24V 500mW
LED21	PTY20545-641		LED(RED)
LED22	PTY20545-642		LED(ORANGE)
LED23	PTY20545-643		LED(GREEN)
R1	QRN141J-105Y		RESISTOR 1MΩ 1/4W
R2	NRSA02J-753X		MG RESISTOR 75kΩ 1/10W
R3	PTY20545-601		MF RESISTOR 0.56Ω 2W
R4	QRE141J-334Y		RESISTOR 330kΩ 1/4W
R5	QRE141J-334Y		RESISTOR 330kΩ 1/4W
R7	PTY20545-602		MG RESISTOR 910Ω 2W
R8	NRSA02J-163X		MG RESISTOR 16kΩ 1/10W
R9	NRSA02J-392X		MG RESISTOR 3.9kΩ 1/10W
R10	NRSA02J-104X		MG RESISTOR 100kΩ 1/10W
R11	NRSA02J-752X		MG RESISTOR 7.5kΩ 1/10W
R12	QRE141J-470Y		RESISTOR 47Ω 1/4W
R13	QRE141J-334Y		RESISTOR 330kΩ 1/4W
R14	QRE141J-334Y		RESISTOR 330kΩ 1/4W
R15	NRSA02J-182X		MG RESISTOR 1.8kΩ 1/10W
R21	NRSA02J-470X		MG RESISTOR 47Ω 1/10W
R22	PTY20545-603		MF RESISTOR 0.47Ω 2W
R23	NRSA02J-472X		MG RESISTOR 4.7kΩ 1/10W
R24	NRSA02F-4752X		MG RESISTOR 47.5kΩ 1/10W
R25	NRSA02J-472X		MG RESISTOR 4.7kΩ 1/10W
R26	NRSA02F-1213X		MG RESISTOR 121kΩ 1/10W
R27	NRSA02J-101X		MG RESISTOR 100Ω 1/10W
R28	NRSA02J-362X		MG RESISTOR 3.6kΩ 1/10W
R29	NRSA02J-103X		MG RESISTOR 10kΩ 1/10W
R30	NRSA02J-181X		MG RESISTOR 180Ω 1/10W
R31	NRSA02J-242X		MG RESISTOR 2.4kΩ 1/10W

#	REF No.	PART No.	PART NAME, DESCRIPTION
R32	NRSA02J-331X		MG RESISTOR 330Ω 1/10W
R33	NRSA02J-273X		MG RESISTOR 27kΩ 1/10W
R41	NRSA02F-5621X		MG RESISTOR 5.62kΩ 1/10W
R42	NRSA02J-103X		MG RESISTOR 10kΩ 1/10W
R43	NRSA02F-681X		MG RESISTOR 680Ω 1/10W
R44	NRSA02F-1961X		MG RESISTOR 1.96kΩ 1/10W
R45	NRSA02J-472X		MG RESISTOR 4.7kΩ 1/10W
R46	NRSA02J-563X		MG RESISTOR 56kΩ 1/10W
R47	NRSA02F-822X		MG RESISTOR 8.2kΩ 1/10W
R48	NRSA02F-183X		MG RESISTOR 18kΩ 1/10W
R49	NRSA02J-0R0X		MG RESISTOR 0Ω 1/10W
R50	NRSA02F-2151X		MG RESISTOR 2.15kΩ 1/10W
R51	NRSA02J-471X		MG RESISTOR 470Ω 1/10W
R52	NRSA02J-471X		MG RESISTOR 470Ω 1/10W
R53	NRSA02F-204X		MG RESISTOR 200kΩ 1/10W
R54	NRSA02J-274X		MG RESISTOR 270kΩ 1/10W
R55	NRSA02J-221X		MG RESISTOR 220Ω 1/10W
R56	NRSA02J-181X		MG RESISTOR 180Ω 1/10W
R57	NRSA02J-102X		MG RESISTOR 1kΩ 1/10W
C1	PTY20292-303		CAPACITOR 0.068μF 275V
C2	YQ10626-402		E CAPACITOR 47μF 400V
C4	NCB21CK-224X		CAPACITOR 0.22μF 16V
C5	PTY10067-653		CAPACITOR 0.01μF 50V
C6	NCB21HK-102X		CAPACITOR 0.001μF 50V
C7	PTY20292-358		CAPACITOR 1000pF 250V
C10	NDC21HJ-151X		CAPACITOR 150pF 50V
C11	NDC21HJ-151X		CAPACITOR 150pF 50V
C21	PTY10067-657		CAPACITOR 0.01μF 250V
C22	PTY20545-621		E CAPACITOR 330μF 35V
C23	PTY20545-622		E CAPACITOR 220μF 10V
C24	NCF21EZ-104X		CAPACITOR 0.1μF 25V
C25	PTY20545-623		E CAPACITOR 220μF 25V
C26	NCF21EZ-104X		CAPACITOR 0.1μF 25V
C40	QCB1HK-104Y		CAPACITOR 0.1μF 50V
C43	QEHA1HM-475		E CAPACITOR 4.7μF 50V
C44	NCB21CK-224X		CAPACITOR 0.22μF 16V
C45	NCB21CK-224X		CAPACITOR 0.22μF 16V
C46	PTY20545-624		E CAPACITOR 47μF 16V
C47	NCB21HK-102X		CAPACITOR 0.001μF 50V
C48	NCB21HK-102X		CAPACITOR 0.001μF 50V
C49	NCB21EK-104X		CAPACITOR 0.1μF 25V
C50	NCB21HK-103X		CAPACITOR 0.01μF 50V
C51	NCB21EK-104X		CAPACITOR 0.1μF 25V
C52	NCF21HZ-104X		CAPACITOR 0.1μF 50V
C60	PTY20545-625		CAPACITOR 0.22μF 25V
C61	PTY20545-625		CAPACITOR 0.22μF 25V
C62	NCF21EZ-104X		CAPACITOR 0.1μF 25V
C63	NCF21EZ-104X		CAPACITOR 0.1μF 25V
C64	NCF21EZ-104X		CAPACITOR 0.1μF 25V
C65	NCB21CK-224X		CAPACITOR 0.22μF 16V
L1	PTY20450-401		LINE FILTER
L21	PTY10067-703		COIL
L22	PTY20545-651		B INDUCTOR
L23	PTY10067-707		B INDUCTOR 120mH
HS1	PTY20483-071		HEAT SINK A
HS2	PTY20545-072		HEAT SINK B
OT1	PTY10067-551		TAP SCREW,X2(HEAT SINK)
F1	PTY20450-40		FUSE 2A 250V
JK21	YQ21032-301		DC JACK
T1	PTY20545-661		SW TRANS
SW21	PTY20545-662		SWITCH
WR1	PTY20545-052		FLAT CABLE,(9PIN),CN21
LS1	PTY20545-053		LED SPACER,X3(LED21,LED22,LED23)
TB1	PTY20545-051		TERMINAL,X4 (CN21, ⊕ ⊖ )
VR41	PTY20483-101		VOLUME 2kΩ
PHC1	PC817A		PHOTO COUPLER
	or PC817X1		PHOTO COUPLER